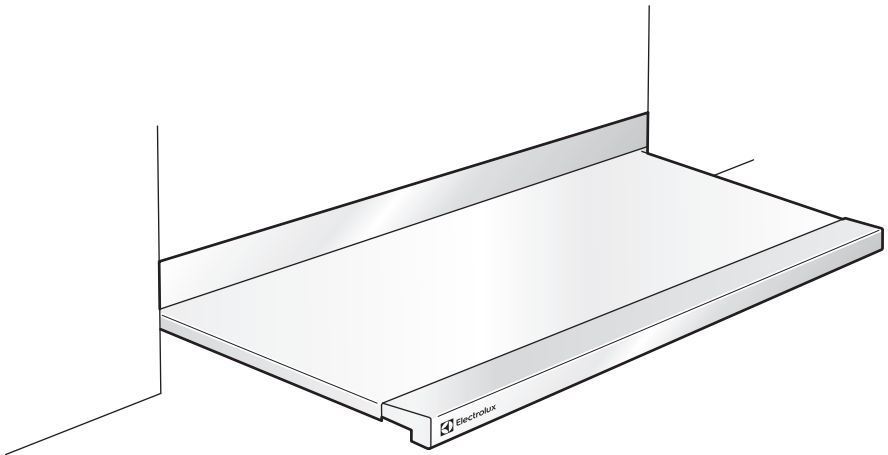




Electrolux

Operating Instructions



Extractor Hood

Dear customer

Please read through these operating instructions carefully. You should pay particular attention to the „Safety Instructions“ section. Please keep these operating instructions in a safe place for your reference, and pass them on to any subsequent owner of the appliance.



Instructions that are important for your safety or for the operability of the appliance are highlighted by means of the warning triangle, and/or the keywords „**Caution!**“ or „**Beware!**“. These instructions must be followed under all circumstances.

1. These numbers take you step by step through the operating sequence for this appliance.
2. ...
3. ...



After this symbol you will find additional information relating to the operation and practical application of the appliance.



This symbol denotes tips and hints relating to the economical and eco-friendly use of the appliance.

These operating instructions include hints to help you correct any faults that may occur; see the section headed „Remedial measures in the event of a fault“.

Should these hints not be enough you have two points of contact at all times, where someone will be happy to help you:

- Your local After Sales centre (see „After Sales“ section) or the



There you will get an answer to any question relating to the equipment and use of your appliance. We will of course also be happy to hear any wishes, suggestions or criticisms that you may have. Our aim is to continue improving our products and services for the benefit of our customers.

- In the case of technical problems, our After Sales service is at your disposal at all times (addresses and phone numbers can be found in the „After Sales“ section).

In that context, please also note the „Service“ section.

Contents

Safety instructions	4
Electrical safety	4
Safety	4
Safety during use	5
Safety when cleaning	5
Disposal	6
Appliance description	7
Extractor hood equipment	7
Items supplied	7
Before using for the first time	8
Special accessories	8
Extractor hood controls	8
Switching on	8
Switching off	8
Light	8
Cleaning and Maintenance	9
External cleaning	9
Cleaning the metal filters	9
Cleaning the filter space	10
Regenerating the activated carbon filter	10
Replacing the LED bulbs	12
Remedial action in the event of faults	12
Installation Instructions	14
Safety instructions	14
Installation for exhaust extraction	14
Electrical connections / power lead	14
Technical data	16
Directives	16
Energy efficiency	17
Service	19
Before you call for After Sales	19
When you call on the services of After Sales	19
After Sales	20
Service Centres	20
Spare parts sales	20
Technical advice / Sales	20
Warranty	20



Safety instructions

i The safety of this appliance complies with the generally recognised codes of practice and the applicable safety regulations. Despite that we consider it necessary to familiarise you with the following safety instructions.

Electrical safety

- Check the extractor hood for any damage in transit. Do not under any circumstances connect a damaged appliance to the power supply. Please contact your supplier if there is any damage.
- Never operate the extractor hood if the mains cable or the controls are damaged.
- The extractor hood must be correctly installed and connected. You will find everything that is necessary in that respect in the installation instructions.
- Before using the appliance for the first time you must ensure that the voltage and type of electricity supply specified on the appliance nameplate match those at the installation location.
- Repairs are to be carried out exclusively by one of our After Sales Centres. Furthermore, only genuine spare parts are to

be used.

- It is not permissible for safety reasons to carry out any adaptations or modifications to the extractor hood.
- In the event of a fault, switch off the appliance and pull the plug out of the mains socket.
- Never pull on the cable to pull the plug out of the mains socket, but on the plug itself.

Safety

- Packaging components (e.g. plastic film, expanded polystyrene) can be dangerous for children. Danger of suffocation!
- Keep all packaging components away from children.
- This appliance may be used by **children** of eight years and over and by persons with impaired physical, sensory or mental capabilities or lack of experience and knowledge, provided that they are supervised or have received instruction regarding the safe use of the appliance, and understand the resulting risks. **Children** should not be allowed to play with the appliance. Cleaning and **user maintenance** must not be carried out by **children** without supervision.

Safety during use


- ⚠ Caution! Parts of the extractor hood may get hot during operation with cooking equipment.
- Use the extractor hood for the ventilation of the hob area only. If the appliance is used incorrectly or for any purpose other than the one intended, the manufacturer can accept no liability for any damage or loss.
 - It is forbidden to flambé below the hood, whether switched off or on (risk of fire).
 - Never operate the extractor hood without the grease filter when cooking.
 - Should the appliance be relocated at a later date, the precise installation instructions can be ordered by telephone from our After Sales department.
 - Should you sell or pass on the appliance to any third party, please ensure that the appliance is handed over complete with these operating instruction so that the new owner can find out how the appliance functions.
 - If the extractor hood is left unattended for any length of time, such as in the holidays, please ensure that the appliance is switched off.

Safety when cleaning



- Clean the grease filter at regular intervals; excessive contamination can lead to a risk of fire.
- Maintain and clean the extractor hood regularly in order to avoid expensive service visits.
- Follow the „Cleaning and Maintenance“ section when doing so.
- For safety reasons it is not permissible to clean the appliance with a steam-jet or high-pressure cleaner.

Disposal


Packaging materials

-  The packaging materials are eco-friendly and recyclable. The plastic components are labelled, e.g. ‚PE‘, ‚PS‘, etc. Dispose of the packaging materials according to their labelling in the containers provided for that purpose at local authority waste disposal sites.

Old appliances

-  The symbol  on the product or on its packaging indicates that this product is not to be treated as normal household waste but must be handed in at a collection point for the recycling of electrical and electronic appliances. By means of your contribution to the correct disposal of this product, you are protecting the environment and the health of your fellow human beings. Incorrect disposal endangers health and the environment. More information about the recycling of this product can be obtained from your refuse collection service or from the shop where you bought the product.

-  **Where to get rid of old appliances ?**
Wherever new appliances are sold, or handover at the official SENS collection points or official SENS recyclers. The list of official SENS collection points can be found at www.sens.ch.

-  **Warning:** Make the obsolete appliance unusable before disposal, so that it can no longer represent a hazard. Disconnect the appliance from the mains power supply and remove the mains cable from the appliance.

Appliance description

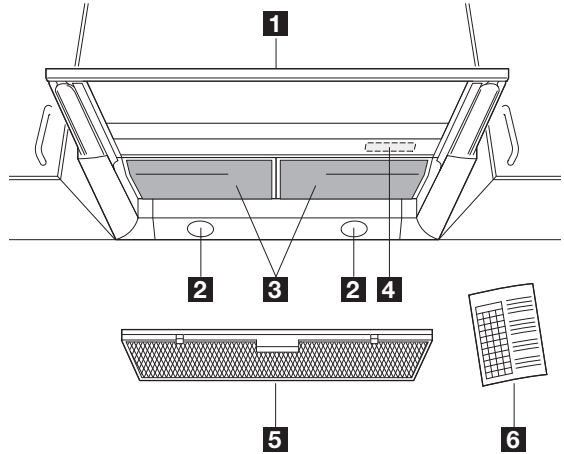
Extractor hood equipment

- 1** Extending hood
- 2** Light
- 3** Metal filter
- 4** Appliance nameplate

Special accessories

Set of regeneratable long-life filter, AKF LL45-20, comprised of:

- 5** Activated carbon filter, AKF LL45-20
- 6** Reminder sticker no. 56331



The extractor hood can be installed for two different modes of operation:

Recirculating version

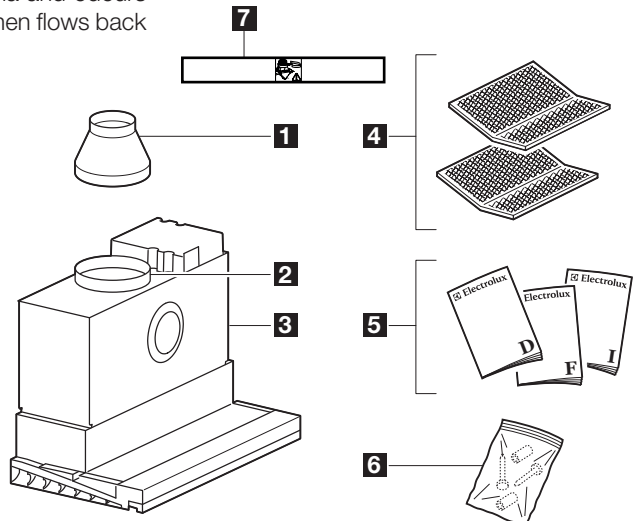
If for structural reasons it is not possible to install an exhaust duct, the extractor hood can be equipped with an additional activated charcoal filter, in which bacteria and odours are trapped. The cleaned air then flows back into the kitchen area.

Exhaust extractor version

The vapours occurring above the cooker hob are cleaned by the grease filter and taken via the exhaust duct into the open air.

Items supplied

- 1** Reducer 150/125
- 2** Connector with backflow flap
- 3** Extractor hood
- 4** Grease filters (2x)
- 5** Instruction and installation manual (D,F,I)
- 6** Mounting materials
- 7** Self-adhesive aluminium tape



Before using for the first time

Special accessories

Regeneratable activated carbon filter:

i The activated carbon filter must be regenerated before using the appliance for the first time, as every activated carbon filter absorbs moisture. The moisture must be extracted.

Regeneration of the activated carbon filter: Lay the filter cassette flat on the oven shelf in the middle of your oven and heat it up for an hour **at 230 °C**. Then allow the filter to cool down completely for two hours. If the filter is inserted to soon the extractor hood may be damaged as a result of the residual heat of the carbon. The regeneration process may result in a normal discoloration of the filter.

The filter can then be placed in the extractor hood again. Your appliance is now ready for use.

There is a red highlighted sticker for the activated carbon filter, to help you to remember to regenerate it every 2 months.

Tip: Stick it to the inside of the herbs and spices cupboard door.

Extractor hood controls

i Always switch the extractor hood on before starting cooking.

Switching on

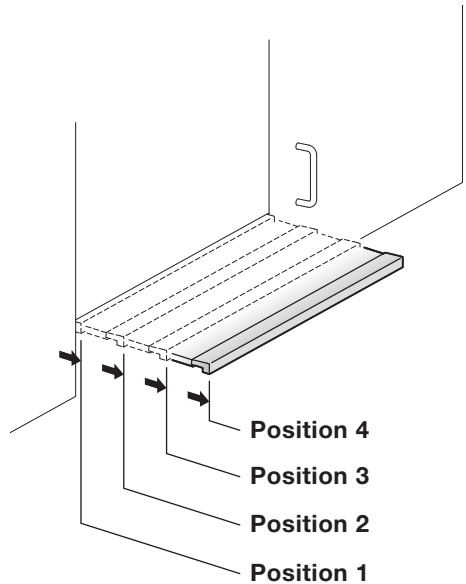
The fan is automatically switched on by pulling out the extending hood. The fan speed can be set by means of the position of the extending hood (position 2-4).

Switching off

Push in the extending hood as far as it will go. The fan and the light are switched off.

Light

Pull out the extending hood by a minimum of 1 cm and the light is switched on.



Position		Types of cooking
1	Light	--
2	low	Keeping food warm, poaching, simmering below boiling point
3	medium	stewing, steaming, brazing, boiling
4	high	parboiling, searing, deep-frying

Cleaning and Maintenance

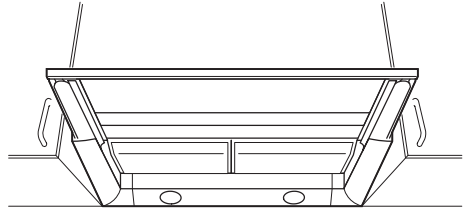
! **Beware!** Do not use any abrasive cleaners, brushes, sponges or scouring powder.

External cleaning

The external components are to be cleaned with a microfibre cloth.

! When cleaning the exterior, ensure that the cloth is worked in line with the texture of the stainless steel surface finish (the fine horizontal lines).

No circular motions!



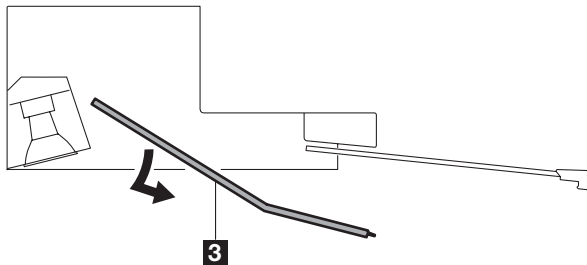
Cleaning the metal filters

i The fan is running!

! **Caution! Non-adherence to these cleaning instructions may result in a risk of fire!**

Removing the metal filters

1. Push the metal filters up at the rear and pull them out to the front.



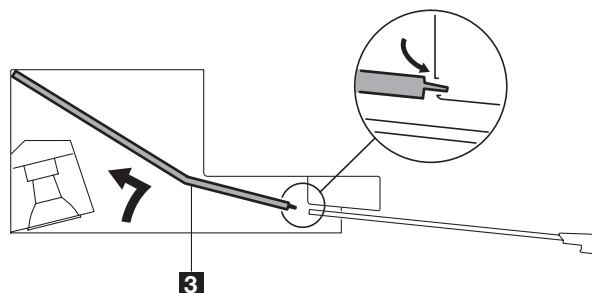
Cleaning the metal filters

2. Wash the metal filters every **2 to 4** weeks in the dishwasher, or place them in washing-up liquid and water, rinse them with hot water and allow them to dry completely.

i Discoloration of the filters is normal; this has no effect on their function.

Reinserting the metal filters

3. Lift up the metal filters at the rear and slot them in place at the front.



Cleaning the filter space

Clean the filter space with a dry piece of kitchen roll each time the metal filters are cleaned or replaced.

i The fan is running!

! **Caution!** Do not damage or remove the appliance nameplate.

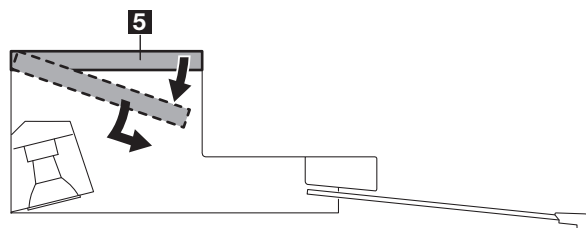
Regenerating the activated carbon filter

! **Handling of the activated carbon filter according to operating instructions.**

Insofar as the appliance is equipped for re-circulating operation.

Removing the activated carbon filter

4. Remove the metal filters.
5. Pull down the activated carbon filter at the front and remove it.



Regeneration

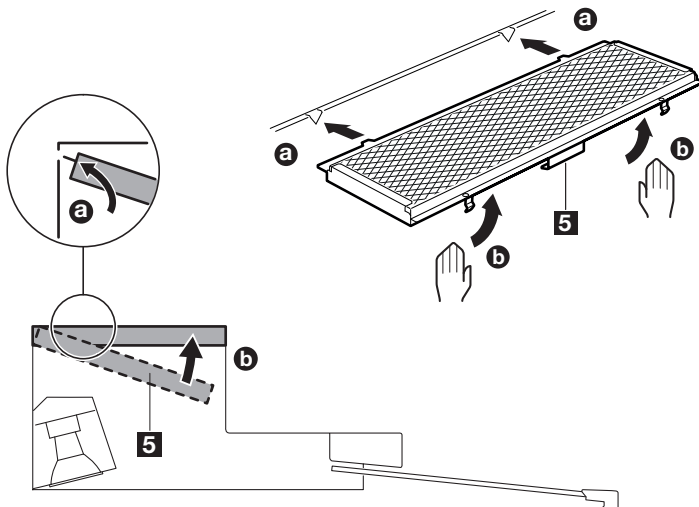
Moisture and grease particles reduce the absorbent capacity of the activated carbon, so it must be regenerated after 2 months at the latest.

3. Lay the filter cassette flat on the oven shelf in the middle of your oven and heat it up for an hour **at 230 °C**.
4. Then allow the filter to cool down completely for two hours.

The filter can then be placed in the extractor hood again. Your appliance is now ready for another 2 months use. The filter loses its effectiveness after approx. 4 years, and should then be completely replaced (it is not possible to refill the activated carbon).

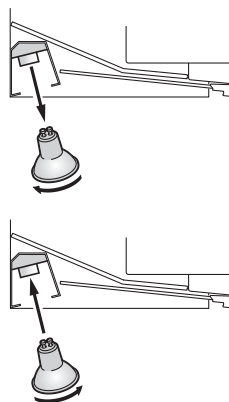
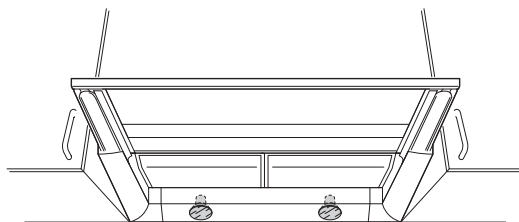
Inserting the activated carbon filter

5. Push the activated carbon filter **5** into the brackets in the direction of the arrow **a** then fold up at the front **b** and push up both sides, left and right, until both latches snap in place.
6. Insert metal filter.



Replacing the LED bulbs


- ⚠** **The extractor hood must be disconnected from the mains supply. (Pull out the plug or switch off the circuit breaker.)**
- ♻** Please bear in mind that LED bulbs have to be specially disposed of. You can hand these back at any appropriate sales outlet.
- ⚠** When replacing the lamp, use the same 3W GU10 model again.
- i** Please note that LED energy saving lamps 220-240V, GU10 with 3-5W (IP23) can be used with this appliance.
- ⚠** Concerning the lamp(s) inside this product and spare part lamps sold separately:
 These lamps are intended to withstand extreme physical conditions in household appliances, such as temperature, vibration, humidity, or are intended to signal information about the operational status of the appliance. They are not intended to be used in other applications and are not suitable for household room illumination



Remedial action in the event of faults

Check whether you can correct any minor faults on the appliance yourself, by means of the following instructions. If this information is of no help in your specific case, please contact After Sales.

Fault	Cause	Solution
<ul style="list-style-type: none"> • The extractor hood will not work at all. • The fan motor will not run. 	<ul style="list-style-type: none"> • No mains power supply. 	<ul style="list-style-type: none"> • Check whether the fuse/circuit breaker is OK. • Check whether the mains cable is correctly plugged in.
	<ul style="list-style-type: none"> • Extending hood not pulled out. 	<ul style="list-style-type: none"> • Pull out the extending hood.
<ul style="list-style-type: none"> • No light 	<ul style="list-style-type: none"> • Bulb blown. 	<ul style="list-style-type: none"> • Replace bulb.
<ul style="list-style-type: none"> • The appliance does not „extract“ well and is noisy. • Condensation on the pull-out • Loud noises in the niche in recirculation mode. 	<ul style="list-style-type: none"> • Exhaust air mode, very airtight doors and windows, resulting in negative pressure. 	<ul style="list-style-type: none"> • Open doors and windows, but not in the immediate vicinity of the cooker. • Supply air via external supply air valve.
	<ul style="list-style-type: none"> • Recirculation mode, air opening in the niche is missing or too small. • Niche with closed ceiling and round, possibly offset outlet opening. 	<ul style="list-style-type: none"> • An air opening of at least 200cm² is mandatory in the top panel. • The niche behind the spice box must be completely and rectangularly open at the top. • As a compromise solution, attach a short piece of pipe to the fan outlet and lead it through the round opening in the niche ceiling.
<ul style="list-style-type: none"> • Smoke when hood is in operation. 	<ul style="list-style-type: none"> • Negative pressure 	<ul style="list-style-type: none"> • Install a valve for external ventilation, or open a window.
<ul style="list-style-type: none"> • Formation of grease droplets • Filter becomes clogged with grease • Hood becomes extremely dirty • Grease and deposits on furnishings 	<ul style="list-style-type: none"> • Hood switched on too late. • Boiling water without switching on the extractor hood. 	<ul style="list-style-type: none"> • Switch on the extractor hood in good time.
	<ul style="list-style-type: none"> • Operation at a too low fan speed. • There is excessively low negative pressure in the room. 	<ul style="list-style-type: none"> • Select a higher speed. • Enable ventilation, open ventilation valve or doors/windows.
<ul style="list-style-type: none"> • Excessive contamination behind the filters and in the exhaust ducts. 	<ul style="list-style-type: none"> • Excessively high air speed. • There is excessively low negative pressure in the room. 	<ul style="list-style-type: none"> • Run the extractor hood at a lower speed. • Enable ventilation.
<ul style="list-style-type: none"> • Condensation on the extending hood. • Inadequate extraction power in exhaust mode. 	High air resistance as a result of: <ul style="list-style-type: none"> • exhaust duct diameter too small. • exhaust duct badly routed. 	<ul style="list-style-type: none"> • Use 150mm diameter exhaust duct. • Re-route exhaust duct more effectively.

 **Caution!** Damaged appliances must not be used. Switch off circuit breakers or unscrew fuses in the event of a fault or malfunction.

 **Caution!** Do not attempt to mend the appliance. Any work incorrectly carried out may lead to material damage and personal injury.

If you are not able to correct any faults or malfunctions by means of these tips, please contact After Sales.

Installation Instructions

Safety instructions

⚠ Caution! The minimum safety gap between the hob and the extractor hood must be 50 cm in the case of electric hobs, and 70 cm in the case of gas hobs.

The appliance must be disconnected from the mains supply when being serviced; pull out the mains plug. The general directives for the operation of electrical appliances, the regulations of the responsible electricity supply companies and provisions of these installation instructions are to be followed to the letter.

The incorrect installation of an extractor hood may lead to a fire. The canton fire brigade regulations are also to be observed.

The hood is designed only for cooking

surfaces with max. 4 cooking zones.

The risk-free operation of appliances (e.g chimney, gas cooker) and extractor hoods jointly connected to a single flue is only guaranteed if the room and/or apartment are ventilated from outside by means of a suitable air inlet aperture of approx. 500-600 sq cm, and hence negative pressure is avoided when the extractor hood is in operation. The negative pressure in the room must not be greater than 4 Pa.

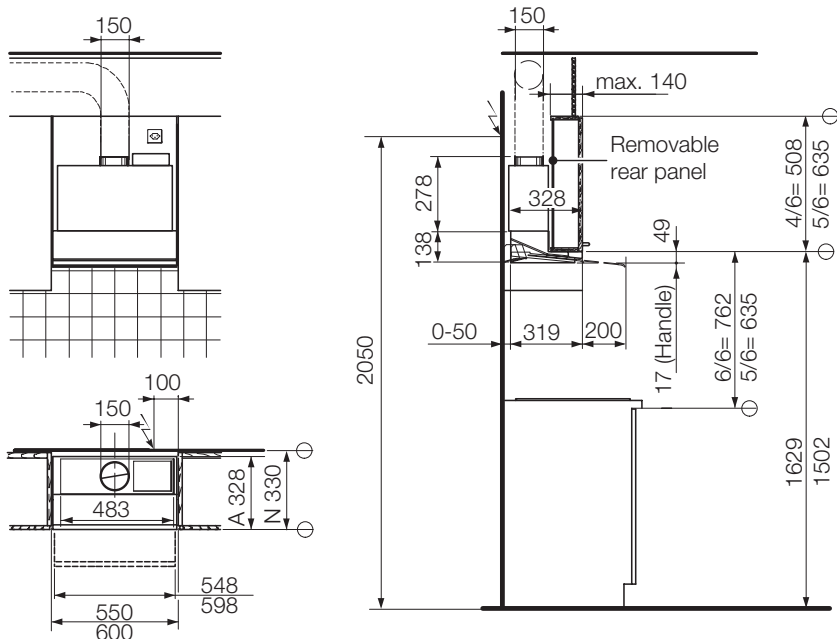
The extracted air has to be drawn off through a separate pipe to the open air.

It should not be passed into a chimney.

If this principle is not observed, a drastic loss of performance and increased operating noise are to be expected.

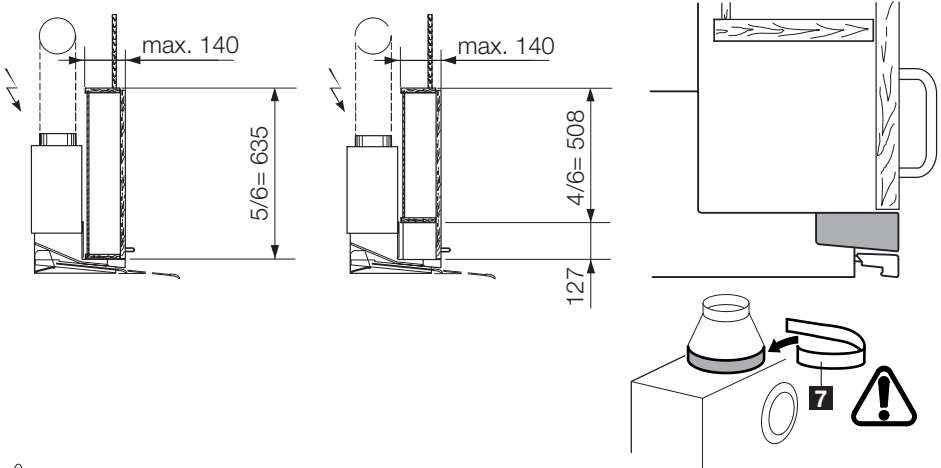
Installation for exhaust extraction

The vapours occurring above the hob are cleaned in the grease filters and led via an exhaust duct into the open air.



Installation with herbs and spices cupboard, height 635 mm (5/6), new, and installation with herbs and spices cupboard, height 508 mm (4/6) with door 635 mm (5/6), replacement market.

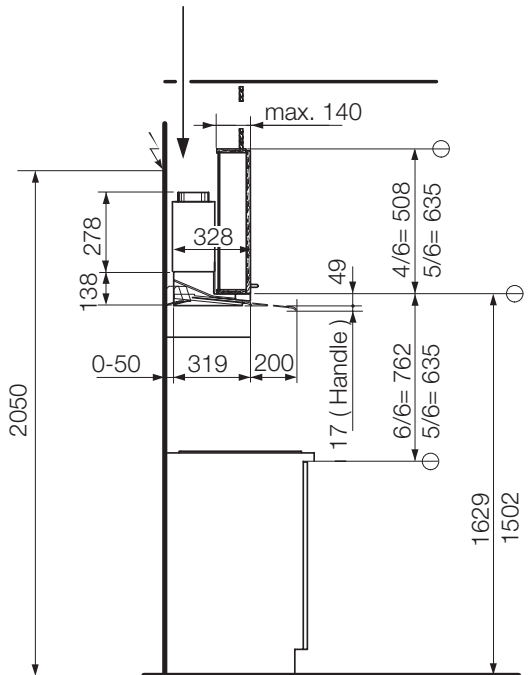
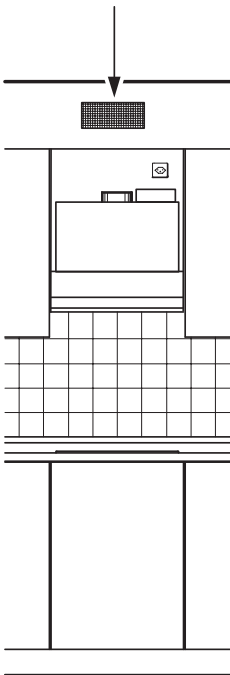
⚠ Use the templates and follow the instructions on them.



⚠ **Installation for recirculation**

An air opening of at least 200cm² is absolutely necessary in the top panel! The backflow flaps must be omitted.

⚠ The niche behind the spice box must be completely and rectangularly open at the top (noise).



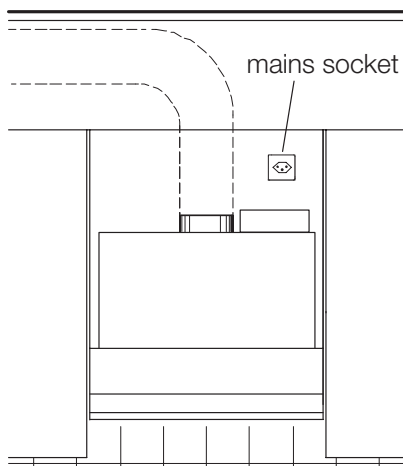
Electrical connections / power lead

Caution! The electrical connections must be carried out by an approved installer.

Beware! The plug must be accessible after installation.

A type 12 or type 13 mains socket is to be provided. The connecting cable is approx. 1m in length.

When replacing the connecting cable, the cable type must be at least H05RR-F (spare part no. 375 0432-00/1).

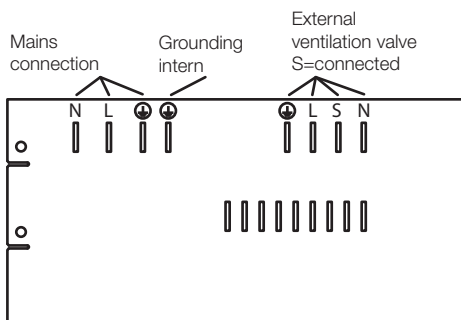


Installation of an external ventilation valve

There is the option of having an external ventilation valve or an electric window opener installed by qualified electrician. This has the tremendous advantage that the necessary ventilation is automatically guaranteed at all times.

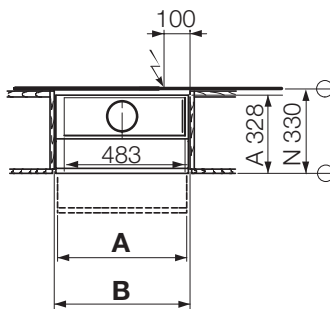
Special accessories:

Automatic ventilation valve MK 150



Technical data

Appliance width	A	B
55	548	550
60	598	600
90	898	900



Directives



This appliance complies with the EC directives
 73/23/EEC Low-voltage directive including amendment 90/683 EEC
 89/336/EEC EMC directive including amendment 92/31/EEC
 93/68/EEC CE marking directive

Energy efficiency

Product Fiche according to (EU) No 65/2014		
Supplier's name or trade mark	ELECTROLUX	
Model identifier	DAGL5545 DAGL6045	
Annual Energy Consumption - AEEhood	44,0	kWh/a
Energy Efficiency Class	A	
Fluid Dynamic Efficiency - FDEhood	31,0	%
Fluid Dynamic Efficiency class	A	
Light Efficiency - LEhood	68	lux/W
Lighting Efficiency Class	A	lux
Grease Filtering Efficiency - GFEhood	85.6	%
Grease Filtering Efficiency class	B	
Minimum Air Flow in normal use	180	m3/h
Maximum Air Flow in normal use	574	m3/h
Air Flow at intensive/boost setting	--	m3/h
A-weighted Sound Power Emission at minimum speed	44	db(A) re 1pW
A-weighted Sound Power Emission at maximum speed	67	db(A) re 1pW
A-weighted Sound Power Emission at intensive or boost speed	--	db(A) re 1pW
Power consumption off mode - Po	--	W
Power consumption in standby mode - Ps	--	W
Additional Information according to (EU) No 66/2014		
Time increase factor - f	0,9	
Energy Efficiency Index - EEIhood	51,8	
Measured air flow rate at best efficiency point - QBEP	304,4	m3/h
Measured air pressure at best efficiency point - PBEP	443	Pa
Maximum air flow - Qmax	580,0	m3/h
Measured electric power input at best efficiency point - WBEP	120,7	W
Nominal power of the lighting system - WL	6,0	W
Average illumination of the lighting system on the cooking surface - Emiddle	407	lux
Appliance designed, tested and manufactured according to:		
<ul style="list-style-type: none"> • Safety: EN/IEC 60335-1; EN/IEC 60335-2-31, EN/IEC 62233. • Performance: EN/IEC 61591; ISO 5167-1; ISO 5167-3; ISO 5168; EN/IEC 60704-1; EN/IEC 60704-2-13; ISO 3741; EN 50564; IEC 62301. • EMC: EN 55014-1; CISPR 14-1; EN 55014-2; CISPR 14-2; EN/IEC 61000-3-2; EN/IEC 61000-3-3. 		
Suggestions for a correct use in order to reduce the environmental impact:		
<ul style="list-style-type: none"> • Switch ON the hood at minimum speed when you start cooking and kept it running for few minutes after cooking is finished. • Increase the speed only in case of large amount of smoke and vapour and use boost speed(s) only in extreme situations. • Replace the charcoal filter(s) when necessary to maintain a good odour reduction efficiency. • Clean the grease filter(s) when necessary to maintain a good grease filter efficiency. • Use the maximum diameter of the ducting system indicated in this manual to optimize efficiency and minimize noise. 		

Energy efficiency

Product Fiche according to (EU) No 65/2014		
Supplier's name or trade mark	ELECTROLUX	
Model identifier	DAGL9045	
Annual Energy Consumption - AEEhood	46,2	kWh/a
Energy Efficiency Class	A	
Fluid Dynamic Efficiency - FDEhood	31,0	%
Fluid Dynamic Efficiency class	A	
Light Efficiency - LEhood	55	lux/W
Lighting Efficiency Class	A	lux
Grease Filtering Efficiency - GFEhood	85.6	%
Grease Filtering Efficiency class	B	
Minimum Air Flow in normal use	180	m3/h
Maximum Air Flow in normal use	574	m3/h
Air Flow at intensive/boost setting	--	m3/h
A-weighted Sound Power Emission at minimum speed	44	db(A) re 1pW
A-weighted Sound Power Emission at maximum speed	67	db(A) re 1pW
A-weighted Sound Power Emission at intensive or boost speed	--	db(A) re 1pW
Power consumption off mode - Po	--	W
Power consumption in standby mode - Ps	--	W
Additional Information according to (EU) No 66/2014		
Time increase factor - f	0,9	
Energy Efficiency Index - EEIhood	53,3	
Measured air flow rate at best efficiency point - QBEP	304,4	m3/h
Measured air pressure at best efficiency point - PBEP	443	Pa
Maximum air flow - Qmax	580,0	m3/h
Measured electric power input at best efficiency point - WBEP	120,7	W
Nominal power of the lighting system - WL	9,0	W
Average illumination of the lighting system on the cooking surface - Emiddle	496	lux
Appliance designed, tested and manufactured according to:		
• Safety: EN/IEC 60335-1; EN/IEC 60335-2-31, EN/IEC 62233.		
• Performance: EN/IEC 61591; ISO 5167-1; ISO 5167-3; ISO 5168; EN/IEC 60704-1; EN/IEC 60704-2-13; ISO 3741; EN 50564; IEC 62301.		
• EMC: EN 55014-1; CISPR 14-1; EN 55014-2; CISPR 14-2; EN/IEC 61000-3-2; EN/IEC 61000-3-3.		
Suggestions for a correct use in order to reduce the environmental impact:		
• Switch ON the hood at minimum speed when you start cooking and kept it running for few minutes after cooking is finished. • Increase the speed only in case of large amount of smoke and vapour and use boost speed(s) only in extreme situations. • Replace the charcoal filter(s) when necessary to maintain a good odour reduction efficiency. • Clean the grease filter(s) when necessary to maintain a good grease filter efficiency. • Use the maximum diameter of the ducting system indicated in this manual to optimize efficiency and minimize noise.		

Service

The well-established Electrolux After Sales service is available to all our customers.

Before you call for After Sales

Make sure that the problem is not one of an operating error.

Check your extractor hood as set out in the section „Remedial action in the event of faults “.

When you call on the services of After Sales

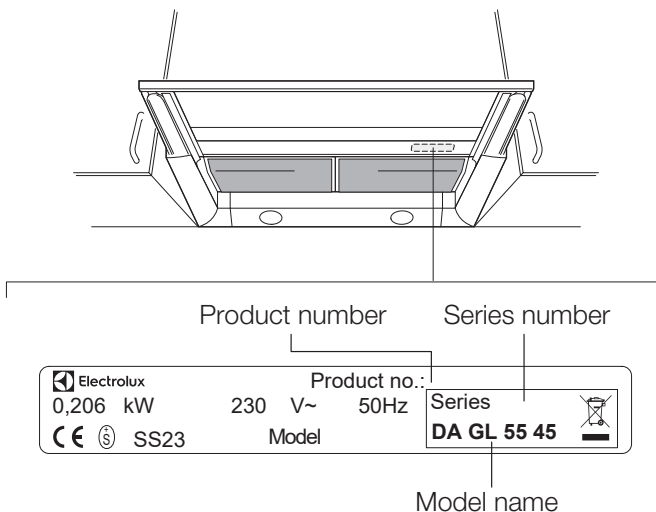
- Make a note of the following details, which are to be found on your appliance's nameplate:
 - Series number
 - Model name
 - Product number
- Please always provide these details when:
 - calling for After Sales service
 - ordering spares or accessories
 - making any technical enquiries

i The nameplate is located behind the right-hand filter and on the warranty document.

- Make a precise note of your observations. This makes it easier for our service engineer to prepare for and carry out the work.

- Call the Service number 0848 848 111. Your call will be automatically forwarded to the nearest Service Centre.

- Please be at home when the service engineer comes, because he/she will be relying on your information and assistance, and you will avoid the costs of a second visit.



After Sales

Service Centres

5506 Mägenwil/Zürich
Industriestr. 10

9014 St. Gallen
Langgasse 10

4133 Pratteln
Schlossstrasse 1

6010 Kriens
Am Mattenhof 4A/B

7000 Chur
Comercialstrasse 19

3018 Bern
Morgenstrasse 131

1028 Prévèrènges
Le Trési 6

6928 Manno
Via Violino 11

You can order spare parts, accessories and care products online at:

www.electrolux.ch

Technical advice / Sales

8048 Zürich
Badenerstrasse 587
Tel. 044 / 405 81 11

Warranty

We provide a two-year warranty for every product from the date of sale or delivery to the consumer (warranty document, invoice or sales receipt as proof of purchase).

The warranty covers the cost of materials, labour and travel.

The warranty does not apply if the operating instructions have not been followed, if the appliance has been incorrectly installed or if it has been damaged by external influences, by force majeure, by the interventions of any third party or the use of non-genuine parts.

Spare parts sales

5506 Mägenwil
Industriestrasse 10
Tel. 0848 / 848 111



Modifications

The text, images and data represent the current technical status of the appliance at the time that these operating instructions went to press. We retain the right to make modifications for the purpose of enhancing the product.