



**EK136SRWE**

**EN** User Manual | **Refrigerator**

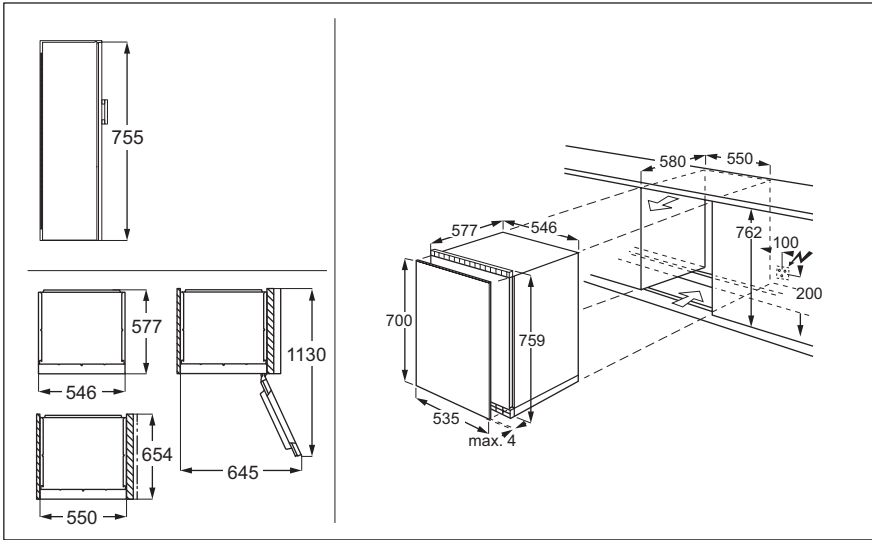
**3**

**DE** Benutzerinformation | **Kühlschrank**

**17**



## INSTALLATION / MONTAGE



## NOISES / GERÄUSCHE



# Welcome to Electrolux! Thank you for choosing our appliance.



Get usage advice, brochures, troubleshooting, service and repair information:  
[www.electrolux.com/support](http://www.electrolux.com/support)

Subject to change without notice.

## CONTENTS

1. SAFETY INFORMATION.....	3
2. SAFETY INSTRUCTIONS.....	5
3. CONTROL PANEL.....	7
4. DAILY USE.....	9
5. HINTS AND TIPS.....	10
6. CARE AND CLEANING.....	11
7. TROUBLESHOOTING.....	12
8. TECHNICAL DATA.....	14
9. INFORMATION FOR TEST INSTITUTES.....	15
10. GUARANTEE.....	15
11. ENVIRONMENTAL CONCERNS.....	16

## 1. ⚠ SAFETY INFORMATION

Before the installation and use of the appliance read the supplied instructions carefully. The manufacturer is not responsible for any injuries or damage that result from incorrect installation or usage. Always keep the instructions in a safe and accessible location for future reference.

### 1.1 Children and vulnerable people safety

- This appliance can be used by children aged from 8 years and above and persons with reduced physical, sensory or mental capabilities or lack of experience and knowledge if they have been given supervision or instruction concerning the use of the appliance in a safe way and understand the hazards involved. Children aged from 3 to 8 years and persons with very extensive and complex disabilities are allowed to load and unload the appliance provided that they have been properly instructed. Children of less than 3 years of age should be kept away from the appliance unless continuously supervised.

- Children should be supervised to ensure that they do not play with the appliance.
- Children shall not carry out cleaning and user maintenance of the appliance without supervision.
- Keep all packaging away from children and dispose of it appropriately.

## **1.2 General Safety**

- This appliance is for storing food and beverages only.
- This appliance is designed for single household domestic use in an indoor environment.
- This appliance may be used in, offices, hotel guest rooms, bed & breakfast guest rooms, farm guest houses and other similar accommodation where such use does not exceed (average) domestic usage levels.
- To avoid contamination of food respect the following instructions:
  - do not open the door for long periods;
  - clean regularly surfaces that can come in contact with food and accessible drainage systems;
  - store raw meat and fish in suitable containers in the refrigerator, so that it is not in contact with or drip onto other food.
- **WARNING:** Keep ventilation openings, in the appliance enclosure or in the built-in structure, clear of obstruction.
- **WARNING:** Do not use mechanical devices or other means to accelerate the defrosting process, other than those recommended by the manufacturer.
- **WARNING:** Do not damage the refrigerant circuit.
- **WARNING:** Do not use electrical appliances inside the food storage compartments of the appliance, unless they are of the type recommended by the manufacturer.
- Do not use water spray and steam to clean the appliance.
- Clean the appliance with a moist soft cloth. Only use neutral detergents. Do not use abrasive products, abrasive cleaning pads, solvents or metal objects.

- When the appliance is empty for long period, switch it off, defrost, clean, dry and leave the door open to prevent mould from developing within the appliance.
- Do not store explosive substances such as aerosol cans with a flammable propellant in this appliance.
- If the supply cord is damaged, it must be replaced by the manufacturer, its Authorised Service Centre or similarly qualified persons in order to avoid a hazard.

## 2. SAFETY INSTRUCTIONS

### 2.1 Installation

#### **WARNING!**

Only a qualified person must install this appliance.

- Remove all the packaging.
- Do not install or use a damaged appliance.
- Do not use the appliance before installing it in the built-in structure due to safety manner.
- Follow the separate instructions for the appliance installation and door reversing available on our website.
- Always take care when moving the appliance as it is heavy. Always use safety gloves and enclosed footwear.
- Make sure the air can circulate around the appliance.
- At first installation or after reversing the door, wait at least 4 hours before connecting the appliance to the power supply. This is to allow the oil to flow back in the compressor.
- Before carrying out any operations on the appliance (e.g. reversing the door), remove the plug from the power socket.
- Do not install the appliance close to radiators or cookers, ovens, or hobs, unless otherwise specified in the installation instructions.
- Do not expose the appliance to the rain.
- Do not install the appliance where there is direct sunlight.
- Do not install this appliance in areas that are too humid or too cold.

- When you move the appliance, lift it by the front edge to avoid scratching the floor.
- Protect the floor from scratches when reversing the appliance door.
- The appliance contains a bag of desiccant. This is not a toy. This is not food. Please dispose of it immediately.

### 2.2 Electrical connection

#### **WARNING!**

Risk of fire and electric shock.

#### **WARNING!**

When positioning the appliance, ensure the supply cord is not trapped or damaged.

#### **WARNING!**

Do not use multi-plug adapters and extension cables.

#### **CAUTION!**

Any electrical work required to install this appliance should be carried out by a qualified electrician.

- Make sure that the parameters on the rating plate are compatible with the electrical ratings of the mains power supply.
- The appliance must be earthed.
- Always use a correctly installed shockproof socket.
- If the domestic power supply socket is not earthed, connect the appliance to a

separate earth in compliance with current regulations, consulting a qualified electrician.

- Make sure not to cause damage to the electrical components (e.g. mains plug, mains cable, compressor). Contact the Authorised Service Centre or an electrician to change the electrical components.
- The mains cable must stay below the level of the mains plug.
- Connect the mains plug to the mains socket only at the end of the installation. Make sure that there is access to the mains plug after the installation.
- Do not disconnect the appliance by pulling on the mains cable. Always pull on the mains plug.
- This appliance is fitted with a 13 A mains plug. If it is necessary to change the mains plug fuse, use only a 13 A ASTA (BS 1362) fuse (UK and Ireland only).

## 2.3 Use

### **WARNING!**

Risk of injury, burns, electric shock or fire.



The appliance contains flammable gas, isobutane (R600a), a natural gas with a high level of environmental compatibility. Be careful not to cause damage to the refrigerant circuit containing isobutane.

- Do not change the specification of the appliance.
- Any use of the built-in product as free-standing is strictly prohibited.
- This appliance is intended to be used at ambient temperature ranging from 10°C to 38°C. The specified temperature range guarantees the correct operations of the appliance.
- Do not put electrical appliances (e.g. ice cream makers) in the appliance unless they are stated applicable by the manufacturer.
- If damage occurs to the refrigerant circuit, make sure that there are no flames and sources of ignition in the room. Ventilate the room.

- Do not let hot items to touch the plastic parts of the appliance.
- Do not put soft drinks in the freezer compartment. This will create pressure on the drink container.
- Do not store flammable gas and liquid in the appliance.
- Do not put flammable products or items that are wet with flammable products in, near or on the appliance.
- Do not touch the compressor or the condenser. They are hot.
- Do not remove or touch items from the freezer compartment if your hands are wet or damp.
- Do not freeze again food that has been thawed.
- Follow the storage instructions on the packaging of frozen food.
- Wrap the food in any food contact material before putting it in the freezer compartment.
- Do not allow food to come in contact with the inner walls of the appliance compartments.

## 2.4 Internal lighting

### **WARNING!**

Risk of electric shock.

- This product contains one or more light sources of energy efficiency class G.
- Concerning the lamp(s) inside this product and spare part lamps sold separately: These lamps are intended to withstand extreme physical conditions in household appliances, such as temperature, vibration, humidity, or are intended to signal information about the operational status of the appliance. They are not intended to be used in other applications and are not suitable for household room illumination.

## 2.5 Care and cleaning

### **WARNING!**

Risk of injury or damage to the appliance.

- Before maintenance, deactivate the appliance and disconnect the mains plug from the mains socket.

- This appliance contains hydrocarbons in the cooling unit. Only a qualified person must do the maintenance and the recharging of the unit.
- Regularly examine the drain of the appliance and if necessary, clean it. If the drain is blocked, defrosted water collects in the bottom of the appliance.

## 2.6 Service

- To repair the appliance contact the Authorised Service Centre. Use only original spare parts.
- Please note that self-repair or non-professional repair can have safety consequences and might void the guarantee.
- The following spare parts are available for at least 7 years after the model has been discontinued: thermostats, temperature sensors, printed circuit boards, light sources, door handles, door hinges, trays and baskets. Door gaskets are available for at least 10 years after the model has been discontinued. The duration may be longer in your country. For further information, please visit our website.

- Please note that some of these spare parts are only available to professional repairers, and that not all spare parts are relevant for all models.

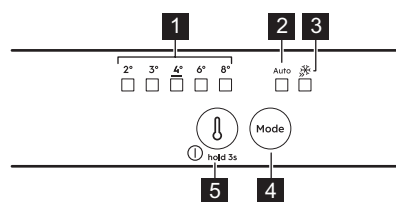
## 2.7 Disposal

### **WARNING!**

Risk of injury or suffocation.

- Disconnect the appliance from the mains supply.
- Cut off the mains cable and discard it.
- Remove the door to prevent children and pets to be closed inside of the appliance.
- The refrigerant circuit and the insulation materials of this appliance are ozone-friendly.
- The insulation foam contains flammable gas. Contact your municipal authority for information on how to discard the appliance correctly.
- Do not cause damage to the part of the cooling unit that is near the heat exchanger.

## 3. CONTROL PANEL



- 1 Temperature indicators
- 2 AI Cool Assist indicator
- 3 Extra Freeze indicator
- 4 Mode button
- 5 Temperature regulation button/ON/OFF button

### 3.1 Switching on/off

#### Switching on

1. Insert the plug into the wall socket.

2. Press the temperature regulator button if all LED indicators are off.

#### Switching off

Keep pressing the temperature regulator button for 3 sec. All indicators light off.

### 3.2 Temperature regulation

Press the temperature regulator. Current LED temperature indicator blinks. When you press the temperature regulator, the setting moves by one position. Repeat the procedure until the appliance reaches the required temperature.

The temperature range may vary between 8 °C to 2 °C (recommended 4 °C).

### **i**

The set temperature will be reached within 24 h. After a power failure the set temperature remains stored.

### 3.3 AI CoolAssist

AI CoolAssist is a machine learning-powered feature that adjusts the appliance settings based on individual usage patterns including the frequency of door openings and other user interactions with the appliance. When activated, AI CoolAssist enables the following smart modes:

- temperature management: automatically regulates the temperature in the fridge and freezer compartments to ensure the optimal food preservation.
- Auto Shopping Mode: automatically adjusts temperature settings in the fridge compartment after grocery shopping to quickly cool newly added items. This mode is enabled automatically when AI CoolAssist is on.
- Auto Vacation Mode: reduces the energy consumption when the appliance is not in use for three or more consecutive days. This mode is enabled automatically when AI CoolAssist is on.

To activate/deactivate the function press Mode button.

When the function is on, AUTO turns on while other indicators turn off.

To come back to the manual setting press Mode button until temperature indicator turns on.



Temperature regulation button is disabled when AI CoolAssist is on. Turn it off to adjust the temperature.



Activating AI CoolAssist, while Extra Cool and/or Extra Freeze are on, deactivates Extra Cool and Extra Freeze.  
Activating Extra Cool and/or Extra Freeze, while AI CoolAssist is on, deactivates AI CoolAssist.

### 3.4 Extra Freeze function

The Extra Freeze function is used to pre-freeze and fast freeze in sequence in the freezer compartment. This function accelerates the freezing of fresh food and protects foodstuffs already stored from warming.



To freeze fresh food activate the Extra Freeze function at least 24 h before placing the food to complete pre-freezing.

To activate Extra Freeze function press the Mode button. The Extra Freeze indicator turns on.



This function stops automatically after a maximum of 52 h.

To deactivate the function, press the Mode button again. The Extra Freeze indicator switches off.

To come back to the manual setting press Mode button until temperature indicator turns on.

### 3.5 Door open alarm

If the fridge door is left open for approx. 5 min, the sound is on.

Press any button to switch off the acoustic alarm.

The alarm deactivates after closing the door.

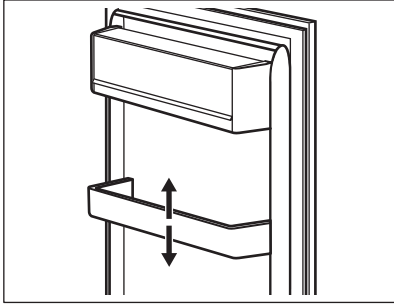


If you do not press any button, the sound switches off after 1 h .

## 4. DAILY USE

### 4.1 Positioning the door shelves

For easier storage of food, the door shelves can be placed at different heights. Pull the shelf up to reposition.

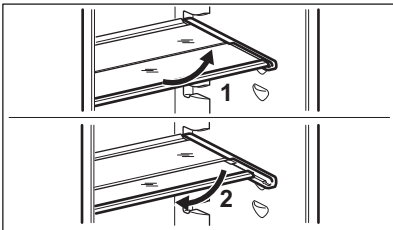


### 4.2 Movable shelves

The walls of the fridge are equipped with runners. You can change the position of the shelves.

This appliance is equipped with a flexible shelf. The front half of the shelf can be placed under the second half:

1. Take out the front half carefully.
2. Slide it into the lower rail and under the second half.



Do not move the glass shelf above the vegetable drawer to ensure correct air circulation.

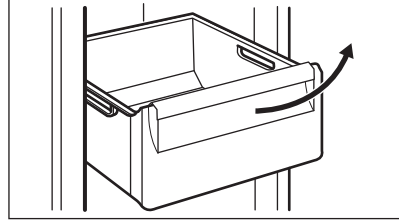
### 4.3 Vegetable drawer

There is a special drawer in the bottom part of the appliance suitable for storage of fruits and vegetables.

### 4.4 Removing drawers

To remove a drawer from a compartment:

1. Pull the drawer out until it stops.
2. Once you reach the end of the runners, lift slightly the front of the drawer and remove it from the appliance.



To put the drawer into a compartment, follow the above steps in reverse order.



In some models, to remove the drawer, it is necessary to remove the bottle bin first.

### 4.5 Freezing fresh food

Use the freezer compartment for freezing fresh food and storing frozen and deep-frozen food for a long time.

Activate the Extra Freeze function at least 24 h before placing the food to be frozen in the freezer compartment.

Do not exceed the max. amount of food that can be frozen without adding other fresh food within 24 h (refer to the rating plate).

When the freezing process is complete, the appliance automatically returns to the previous temperature setting (see "Extra Freeze function").



The temperature inside the fridge can change.

For more information refer to "Hints for freezing".

## 4.6 Storage of frozen food

When activating the appliance for the first time or after a period out of use, activate the Extra Freeze function at least 3 h before putting the products in the freezing compartment.

### CAUTION!

If the power has been off for longer than the value shown on rating plate under "rising time", the defrosted food must be consumed immediately.

## 5. HINTS AND TIPS


### 5.1 Hints for energy saving

- Fridge: The configuration with the drawers in the bottom part of the appliance and shelves evenly distributed ensures the most efficient use of energy. Position of the door bins does not affect energy consumption.
- Do not open the door frequently or leave it open longer than necessary.
- Freezer: The colder the temperature setting, the higher the energy consumption.
- Fridge: Do not set too high temperature unless it is required by the characteristics of the food.
- If the ambient temperature is high and the temperature control is set to low temperature and the appliance is fully loaded, the compressor may run continuously, causing frost or ice formation on the evaporator. In this case, set the temperature control toward higher temperature to allow automatic defrosting.
- Do not cover the ventilation grilles or holes.

### 5.2 Hints for freezing

- Do not freeze bottles or cans with liquids, in particular drinks containing carbon dioxide. They may explode during freezing.
- Do not put hot food in the freezer compartment.
- Do not place fresh unfrozen food directly next to already frozen food.
- Do not eat ice cubes, water ices or ice lollies immediately after taking them out of the freezer to avoid frostbites.
- Do not re-freeze defrosted food.

### 5.3 Hints for storage of frozen food

- Freezer compartment is marked with .
- Good temperature setting that ensures preservation of frozen food products is a temperature less than or equal to  $-18^{\circ}\text{C}$ .
- Higher temperature setting inside the appliance may lead to shorter shelf life.
- The whole freezer compartment is suitable for storage of frozen food products.
- Leave enough space around the food to allow air to circulate freely.

### 5.4 Shelf life for freezer compartment

Type of food	Shelf life (months)
Bread	3
Fruits (except citrus)	6 - 12
Vegetables	8 - 10
Leftovers without meat	1 - 2
<b>Dairy food:</b>	
Butter	6 - 9
Soft cheese (e.g. mozzarella)	3 - 4
Hard cheese (e.g. parmesan, cheddar)	6
<b>Seafood:</b>	
Fatty fish (e.g. salmon, mackerel)	2 - 3
Lean fish (e.g. cod, flounder)	4 - 6
Shrimps	12
Shucked clams and mussels	3 - 4
Cooked fish	1 - 2
<b>Meat:</b>	

Type of food	Shelf life (months)
Poultry	9 - 12
Beef	6 - 12
Pork	4 - 6
Lamb	6 - 9
Sausage	1 - 2
Ham	1 - 2
Leftovers with meat	2 - 3

## 5.5 Hints for food refrigeration



Fresh food compartment is marked (on the rating plate) with .

- Good temperature setting that ensures preservation of fresh food is a temperature less than or equal to +4°C.
- Always use closed containers for liquids and for food, to avoid flavours or odours in the compartment.
- To avoid the cross-contamination between cooked and raw food, cover the cooked food and separate it from the raw one.
- Wrap and place meat on the glass shelf above the vegetable drawer.
- Defrost the food inside the fridge.
- Do not insert hot food inside the appliance.
- Clean fruit and vegetables and place in a dedicated drawer (vegetable drawer).
- Do not keep exotic fruits in the fridge.
- Do not keep vegetables like tomatoes, potatoes, onions, and garlic in the fridge.
- Close the bottles before you put them into the fridge.

## 6. CARE AND CLEANING

### WARNING!

Refer to Safety chapters.

### 6.1 Cleaning the interior

Before first use clean the interior and all accessories with lukewarm water and neutral soap, then dry.

### CAUTION!

The accessories and parts of the appliance are not suitable for washing in a dishwasher.

### 6.2 Periodic cleaning

Clean the equipment regularly:

- Clean the inside and accessories with lukewarm water and neutral soap. Rinse and wipe them dry.
- Wipe down the door seals regularly.

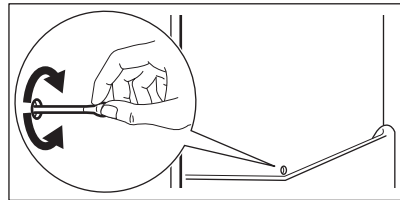
### 6.3 Defrosting of the fridge

Frost is automatically eliminated from the evaporator of the fridge compartment during normal use. The defrost water drains out

through a trough into a special container where it evaporates.

Regularly clean the defrost water drain hole in the middle of the fridge compartment channel.

Use the tube cleaner provided with the appliance.



### 6.4 Defrosting of the freezer

#### CAUTION!

Never use sharp metal tools to scrape off frost from the evaporator. Use only accessories recommended by the manufacturer to speed up thawing.



Set a lower temperature about 12 h prior to defrosting.

It is normal for a thin layer of frost to form on the freezer shelves and around the top compartment. Defrost the freezer when the frost layer reaches a thickness of about 3-5 mm.

1. Switch off and unplug the appliance.
2. Remove stored food.
3. Leave the door open and protect the floor from the water.
4. Put a pot of warm water in the freezer compartment in order to speed up the defrosting.

5. Dry the interior after defrosting.
6. Switch on the appliance. Close the door.
7. Set the lowest temperature for at least 3 h before you put the food back into the freezer compartment.

## 6.5 Period of non-operation

When the appliance is not in use for long period, take the following precautions:

1. Disconnect the appliance from electricity supply.
2. Remove all food.
3. Defrost the appliance.
4. Clean the appliance and all accessories.
5. Leave the doors open to prevent unpleasant smells.

## 7. TROUBLESHOOTING



### WARNING!

Refer to Safety chapters.

### 7.1 What to do if...

Problem	Possible cause	Solution
The appliance does not operate.	The appliance is switched off.	Switch on the appliance.
	The mains plug is not connected to the mains socket correctly.	Connect the mains plug to the mains socket correctly.
The appliance is noisy.	There is no voltage in the mains socket.	Connect a different electrical appliance to the mains socket. Contact a qualified electrician.
	The appliance is not supported properly.	Check if the appliance stands stable.
Acoustic or visual alarm is on.	The door is left open.	Close the door.
The compressor operates continually.	Temperature is set incorrectly.	Refer to "Control panel" chapter.
	Too much food is put in at the same time.	Wait a few hours and then check the temperature again.
	The room temperature is too high.	Refer to "Installation" chapter.
	Food placed in the appliance is too warm.	Allow food to cool to room temperature before storing.
	The door is not closed correctly.	Refer to "Closing the door" section.
	The Extra Freeze function is switched on.	Refer to "Extra Freeze function" section.

<b>Problem</b>	<b>Possible cause</b>	<b>Solution</b>
The compressor does not start immediately after pressing the "Extra Freeze", or after changing the temperature.	The compressor starts after a period of time.	This is normal, no error has occurred.
Door is misaligned or interferes with ventilation grill.	The appliance is not levelled.	Refer to installation instructions.
Door does not open easily.	You attempted to re-open the door immediately after closing.	Wait a few seconds between closing and re-opening of the door.
The lamp does not work.	The lamp is in stand-by mode.	Close and open the door.
	The lamp is defective.	Contact the Authorized Service Centre.
There is too much frost and ice.	The door is not closed correctly.	Refer to "Closing the door" section.
	The gasket is deformed or dirty.	Refer to "Closing the door" section.
	Food is not wrapped properly.	Wrap the food properly.
	Temperature is set incorrectly.	Refer to "Control panel" chapter.
	Appliance is fully loaded and is set to the lowest temperature.	Set a higher temperature. Refer to "Control panel" chapter.
	Temperature set in the appliance is too low and the ambient temperature is too high.	Set a higher temperature. Refer to "Control panel" chapter.
Water flows on the rear plate of the refrigerator.	During the automatic defrosting process, frost melts on the rear plate.	This is correct.
There is too much condensed water inside the fridge.	Door was opened too frequently.	Open the door only when necessary.
	Door was not closed completely.	Make sure the door is closed completely.
	Stored food was not wrapped.	Wrap food in suitable packaging before storing it in the appliance.
	This is normal that during summer and autumn more condensation can form due to the increased air and food humidity. Fridge does not produce any moisture. After this period, the humidity in the fridge decreases itself.	In summer and autumn, set the warmer temperature in the refrigerator (approx. 6-7°C).
There are water drops on the glass shelves.	There is too much moisture inside the fridge.	Wipe the glass shelves with a cloth to remove water drops.
Water flows inside the fridge.	Food prevents the water from flowing into the water collector.	Make sure that food does not touch the rear plate.
	The water outlet is clogged.	Clean the water outlet.
Water flows on the floor.	The melting water outlet is not connected to the evaporative tray above the compressor.	Attach the melting water outlet to the evaporative tray.

Problem	Possible cause	Solution
Temperature cannot be set.	The Extra Freeze function is switched on.	Switch off Extra Freeze function manually, or wait until it deactivates automatically. Refer to "Extra Freeze function" section.
The temperature in the appliance is too low/too high.	The temperature is not set correctly.	Set a higher/lower temperature.
	The door is not closed correctly.	Refer to the "Closing the door" section.
	The food is too hot.	Let the food cool down before storage.
	Too much food is stored at the same time.	Store less food at the same time.
	The thickness of the frost is greater than 4-5 mm.	Defrost the appliance.
	The door has been opened often.	Open the door only if necessary.
	The Extra Freeze function is switched on.	Refer to the "Extra Freeze function" section.
	There is no cold air circulation in the appliance.	Ensure cold air circulation in the appliance. Refer to the "Hints and tips" chapter.
Temperature setting LEDs flash at the same time.	An error has occurred in measuring the temperature.	Contact the Authorised Service Centre. The cooling system will continue to keep food cold, but temperature adjustment will not be possible.



If the problem persists, contact the Authorised Service Centre.

## 7.2 Replacing the lamp

For replacing the lamp, contact the Authorized Service Centre.

## 7.3 Closing the door

1. Clean the door gaskets.
2. To adjust the door, refer to installation instructions.
3. To replace the defective door gaskets, contact the Authorized Service Centre.

## 8. TECHNICAL DATA

The technical information is on the energy label and on the appliance rating plate, which may be located on or inside the appliance.

### For Switzerland only

Voltage: 220-240 V

Frequency: 50 Hz

### For EU only

The QR code on the energy label supplied with the appliance provides a web link to the information related to the performance of the appliance in the EU EPREL database. Keep the energy label for reference together with the user manual and all other documents provided with this appliance. It is also possible to find the same information in

EPREL using the link <https://eprel.ec.europa.eu> and the model name and product number that you find on the rating plate of the appliance. See the link [www.theenergylabel.eu](http://www.theenergylabel.eu) for detailed information about the energy label.

**For UK only**

The QR code on the energy label supplied with the appliance provides a web link to the

information related to the performance of the appliance. Keep the energy label for reference together with the user manual and all other documents provided with this appliance.

## 9. INFORMATION FOR TEST INSTITUTES

Installation and preparation of the appliance for any EcoDesign verification shall be compliant with:

UK	BS EN 62552
EU, Switzerland, Israel	EN 62552
Australia	IEC 62552
South Africa	SANS 62552

UAE	UAE.S 5010-3:2022
GCC	SASO-2892_2018

Ventilation requirements, recess dimensions and minimum rear clearances shall be as stated in this User Manual in "Installation". Contact the manufacturer for any other further information, including loading plans.

## 10. GUARANTEE

### Customer Service Centres

Point of Service		
Industriestrasse 10 5506 Mägenwil	Le Trési 6 1028 Prévèrenge	Via Violino 11 6928 Manno
Morgenstrasse 131 3018 Bern		
Langgasse 10 9008 St. Gallen		
Am Mattenhof 4a/b 6010 Kriens		
Schlossstrasse 1 4133 Pratteln		
Comercialstrasse 19 7000 Chur		





**Spare parts service** Industriestrasse 10, 5506 Mägenwil, Tel. 0848 848 111

**Specialist advice/Sale** Buckhauserstrasse 40, 8048 Zürich, Tel. 044 405 82 44

**Warranty** For each product we provide a two-year guarantee from the date of purchase or delivery to the consumer (with a guarantee

certificate, invoice or sales receipt serving as proof). The guarantee covers the costs of materials, labour and travel. The guarantee will lapse if the operating instructions and conditions of use are not adhered to, if the product is incorrectly installed, or in the event of damage caused by external influences, force majeure, intervention by third parties or the use of non-genuine components.

## 11. ENVIRONMENTAL CONCERNS

Recycle materials with the symbol . Put the packaging in relevant containers to recycle it. Help protect the environment and human health by recycling waste of electrical and electronic appliances. Do not dispose of appliances marked with the symbol  with the household waste. Return the product to your local recycling facility or contact your municipal office.



### **For Switzerland:**

Where should you take your old equipment?

Anywhere that sells new equipment or hand it in to official SENS collection points or official SENS recycling firms.

The list of official SENS collection points can be found at [www.erecycling.ch](http://www.erecycling.ch)

# Willkommen bei Electrolux! Danke, dass Sie sich für unser Gerät entschieden haben.



Anwendungshinweise, Prospekte, Informationen zu Fehlerbehebung, Service und Reparatur erhalten Sie hier:  
[www.electrolux.com/support](http://www.electrolux.com/support)

Änderungen vorbehalten.

## INHALTSVERZEICHNIS

1. SICHERHEITSINFORMATIONEN .....	17
2. SICHERHEITSHINWEISE.....	19
3. BEDIENFELD.....	22
4. TÄGLICHER GEBRAUCH.....	23
5. HINWEISE UND TIPPS.....	25
6. REINIGUNG UND PFLEGE.....	26
7. FEHLERBEHEBUNG.....	28
8. TECHNISCHE DATEN.....	30
9. INFORMATIONEN FÜR PRÜFINSTITUTE.....	31
10. GARANTIE.....	31
11. UMWELTBELANGE.....	32

## 1. ⚠ SICHERHEITSINFORMATIONEN

Lesen Sie vor der Installation und Verwendung des Geräts sorgfältig die mitgelieferten Anweisungen durch. Bei Verletzungen oder Schäden infolge nicht ordnungsgemäßer Montage oder Verwendung übernimmt der Hersteller keine Haftung. Bewahren Sie die Anleitung zum Nachschlagen an einem sicheren und zugänglichen Ort auf.

### 1.1 Sicherheit von Kindern und schutzbedürftigen Personen

- Das Gerät kann von Kindern ab 8 Jahren und Personen mit eingeschränkten physischen, sensorischen oder geistigen Fähigkeiten oder mit mangelnder Erfahrung / mangelndem Wissen benutzt werden, wenn sie durch eine für ihre Sicherheit zuständige Person beaufsichtigt werden oder von dieser Person Anweisungen erhalten haben, wie das Gerät sicher zu bedienen ist und welche Gefahren bei nicht ordnungsgemäßer Bedienung bestehen. Kinder im Alter

von 3 bis 8 Jahren und Personen mit sehr umfangreichen und komplexen Behinderungen dürfen das Gerät unter der Voraussetzung, dass sie ordnungsgemäß angewiesen wurden, be- und entladen. Halten Sie Kinder unter 3 Jahren vom Gerät fern, wenn sie nicht ständig beaufsichtigt werden.

- Kinder sollten beaufsichtigt werden, damit sie nicht mit dem Gerät spielen.
- Kinder dürfen keine Reinigung und Wartung des Geräts ohne Beaufsichtigung durchführen.
- Halten Sie sämtliches Verpackungsmaterial von Kindern fern und entsorgen Sie es ordnungsgemäß.

## **1.2 Allgemeine Sicherheit**

- Dieses Gerät ist nur zur Lagerung von Lebensmitteln und Getränken bestimmt.
- Dieses Gerät ist für den häuslichen Gebrauch im Haushalt in Innenräumen konzipiert.
- Dieses Gerät darf in Büros, Hotelzimmern, Gästezimmern in Pensionen, Bauernhöfen und anderen ähnlichen Unterkünften verwendet werden, wenn diese Nutzung das (durchschnittliche) Nutzungsniveau im Haushalt nicht überschreitet.
- Um eine Kontaminierung von Lebensmitteln zu vermeiden, beachten Sie die folgenden Hinweise:
  - Öffnen Sie die Tür nicht über längere Zeit hinweg;
  - reinigen Sie regelmäßig Oberflächen, die mit Lebensmitteln in Kontakt kommen können, und zugängliche Ablaufsysteme;
  - lagern Sie rohes Fleisch und Fisch in geeigneten Behältern im Kühlschrank, so dass sie nicht mit anderen Lebensmitteln in Berührung kommen oder auf diese tropfen.
- **ACHTUNG:** Halten Sie die Lüftungsöffnungen im Gerätegehäuse oder in der Einbaunische frei von Hindernissen.

- **ACHTUNG:** Versuchen Sie nicht, den Abtauvorgang durch andere als vom Hersteller empfohlene mechanische oder sonstige Hilfsmittel zu beschleunigen.
- **ACHTUNG:** Achten Sie darauf, den Kältekreislauf nicht zu beschädigen.
- **ACHTUNG:** Betreiben Sie in den Lebensmittelfächern des Geräts keine anderen als die vom Hersteller empfohlenen Elektrogeräte.
- Reinigen Sie das Gerät nicht mit Wasserspray oder Dampf.
- Reinigen Sie das Gerät mit einem weichen, feuchten Lappen. Verwenden Sie ausschließlich Neutralreiniger. Verwenden Sie keine Scheuermittel, Scheuerschwämme, scharfe Reinigungsmittel oder Metallgegenstände.
- Wenn das Gerät längere Zeit leer steht, schalten Sie es aus, tauen Sie es ab, reinigen und trocknen Sie es und lassen Sie die Tür offen, um Schimmelbildung im Gerät zu vermeiden.
- Bewahren Sie keine explosiven Substanzen wie Aerosoldosen mit brennbarem Treibgas in diesem Gerät auf.
- Wenn das Netzkabel beschädigt ist, muss es vom Hersteller, einem autorisierten Servicezentrum oder einer ähnlich qualifizierten Person zur Vermeidung einer Gefahrenquelle ersetzt werden.

## 2. SICHERHEITSHINWEISE

### 2.1 Montage

#### **WARNUNG!**

Nur eine qualifizierte Fachkraft darf die Montage des Geräts vornehmen.

- Entfernen Sie das gesamte Verpackungsmaterial.
- Montieren Sie ein beschädigtes Gerät nicht und benutzen Sie es nicht.
- Verwenden Sie das Gerät aus Sicherheitsgründen nicht, bevor es in den Einbauschrank gesetzt wird.
- Befolgen Sie die separaten Anweisungen für die Installation des Geräts und die Türumkehrung, die auf unserer Website zur Verfügung stehen.
- Seien Sie beim Umsetzen des Gerätes vorsichtig, da es sehr schwer ist. Tragen Sie stets Sicherheitshandschuhe und festes Schuhwerk.
- Stellen Sie sicher, dass die Luft um das Gerät zirkulieren kann.
- Warten Sie nach der ersten Inbetriebnahme oder dem Wechsel des Türanschlags mindestens 4 Stunden, bevor Sie das Gerät an die

Stromversorgung anschließen. So kann das Öl in den Kompressor zurückfließen.

- Ziehen Sie den Stecker aus der Steckdose, bevor Sie am Gerät arbeiten (z. B. Wechsel des Türanschlags).
- Stellen Sie das Gerät nicht in der Nähe von Heizkörpern oder Herden, Backöfen oder Kochfeldern auf, es sei denn, in der Installationsanleitung ist etwas anderes angegeben.
- Setzen Sie das Gerät nicht dem Regen aus.
- Installieren Sie das Gerät nicht an einem Ort mit direkter Sonneneinstrahlung.
- Stellen Sie dieses Gerät nicht in Bereichen auf, die zu feucht oder kalt sind.
- Wenn Sie das Gerät verschieben, heben Sie es an der Vorderkante an, um den Fußboden nicht zu verkratzen.
- Schützen Sie den Boden beim Umkehren der Gerätetür vor Kratzern.
- Das Gerät enthält einen Beutel mit Trockenmittel. Dieser Beutel ist kein Spielzeug. Dieser Beutel ist kein Lebensmittel. Bitte entsorgen Sie ihn umgehend.

## 2.2 Elektrischer Anschluss

### **WARNUNG!**

Brand- und Stromschlaggefahr.

### **WARNUNG!**

Achten Sie bei der Montage des Geräts darauf, dass das Netzkabel nicht eingeklemmt oder beschädigt wird.

### **WARNUNG!**

Verwenden Sie keine Mehrfachsteckdosen und Verlängerungskabel.

### **VORSICHT!**

Alle elektrischen Arbeiten, die zur Installation dieses Geräts erforderlich sind, sollten von einem/einer qualifizierten Elektriker\*in durchgeführt werden.

- Stellen Sie sicher, dass die Daten auf dem Typenschild mit den elektrischen

Nennwerten der Netzspannung übereinstimmen.

- Das Gerät muss geerdet sein.
- Verwenden Sie immer eine korrekt installierte Schutzkontaktsteckdose.
- Wenn die Steckdose nicht geerdet ist, schließen Sie das Gerät gemäß den geltenden Vorschriften an eine separate Erdung an und wenden Sie sich an eine(n) qualifizierte(n) Elektriker\*in.
- Achten Sie darauf, die elektrischen Bauteile nicht zu beschädigen (z. B. Netzstecker, Netzkabel, Kompressor). Wenden Sie sich zum Austausch elektrischer Bauteile an das autorisierte Servicezentrum oder eine(n) Elektriker\*in.
- Das Netzkabel muss unterhalb des Netzsteckers liegen.
- Stecken Sie den Netzstecker erst nach Abschluss der Montage in die Steckdose. Stellen Sie sicher, dass der Netzstecker nach der Montage noch zugänglich ist.
- Trennen Sie das Gerät nicht, indem Sie am Netzkabel ziehen. Ziehen Sie immer am Netzstecker.
- Dieses Gerät ist mit einem 13 A-Netzstecker ausgestattet. Muss die Sicherung im Netzstecker ausgetauscht werden, setzen Sie nur eine 13 A ASTA (BS 1362) Sicherung ein (nur GB und Irland).

## 2.3 Gebrauch

### **WARNUNG!**

Es besteht Verletzungs-, Verbrennungs-, Stromschlag- oder Brandgefahr.



Das Gerät enthält brennbares Gas, Isobutan (R600a), ein umweltfreundliches Erdgas. Achten Sie darauf, den Kältekreislauf, der Isobutan enthält, nicht zu beschädigen.

- Nehmen Sie keine technischen Änderungen am Gerät vor.
- Jegliche Verwendung des eingebauten Produkts als freistehendes Produkt ist strengstens untersagt.
- Dieses Gerät ist für den Einsatz bei einer Umgebungstemperatur von 10°C bis 38°C vorgesehen. Der korrekte Betrieb des

Geräts kann nur innerhalb des angegebenen Temperaturbereichs garantiert werden.

- Stellen Sie keine elektrischen Geräte (z. B. Eisbereiter) in das Gerät, wenn solche Geräte nicht ausdrücklich vom Hersteller für diesen Zweck zugelassen sind.
- Wird der Kältekreislauf beschädigt, stellen Sie bitte sicher, dass keine Flammen und Zündquellen im Raum vorhanden sind. Lüften Sie den Raum.
- Achten Sie darauf, dass keine heißen Gegenstände auf die Kunststoffteile des Geräts gelangen.
- Geben Sie keine Softdrinks in das Gefrierfach. Dadurch entsteht Druck auf den Getränkebehälter.
- Lagern Sie keine brennbaren Gase und Flüssigkeiten im Gerät.
- Platzieren Sie keine entflammaren Produkte oder Gegenstände, die mit entflammaren Produkten benetzt sind, im Gerät, auf dem Gerät oder in der Nähe des Geräts.
- Berühren Sie nicht den Kompressor oder den Kondensator. Diese sind heiß.
- Nehmen Sie keine Gegenstände aus dem Gefrierfach und berühren Sie diese nicht, falls Ihre Hände nass oder feucht sind.
- Frieren Sie aufgetaute Lebensmittel nicht wieder ein.
- Befolgen Sie die Hinweise auf der Verpackung zur Aufbewahrung tiefgekühlter Lebensmittel.
- Wickeln Sie die Lebensmittel in Lebensmittelkontaktmaterial ein, bevor Sie sie in das Gefrierfach legen.
- Achten Sie darauf, dass keine Lebensmittel mit den Innenwänden der Gerätefächer in Berührung kommen.

## 2.4 Innenbeleuchtung

### **WARNUNG!**

Stromschlaggefahr.

- Dieses Produkt enthält eine oder mehrere Lichtquellen der Energieeffizienzklasse G.
- Bezüglich der Lampe(n) in diesem Gerät und separat verkaufter Ersatzlampen: Diese Lampen müssen extremen physikalischen Bedingungen in

Haushaltsgeräten standhalten, wie z. B. Temperatur, Vibration, Feuchtigkeit, oder sollen Informationen über den Betriebszustand des Gerätes anzeigen. Sie sind nicht für den Einsatz in anderen Geräten vorgesehen und nicht für die Raumbeleuchtung geeignet.

## 2.5 Reinigung und Pflege

### **WARNUNG!**

Andernfalls besteht Verletzungsgefahr und das Gerät könnte beschädigt werden.

- Vor Wartungsarbeiten das Gerät deaktivieren und den Stecker des Anschlusskabels aus der Steckdose ziehen.
- Dieses Gerät enthält Kohlenwasserstoffe in der Kühleinheit. Das Gerät darf nur von einer qualifizierten Fachkraft gewartet werden.
- Prüfen Sie regelmäßig den Wasserabfluss des Geräts und reinigen Sie diesen gegebenenfalls. Ist der Abfluss verstopft, sammelt sich das aufgetaute Wasser im Boden des Geräts.

## 2.6 Service

- Wenden Sie sich zur Reparatur des Geräts an das autorisierte Servicezentrum. Verwenden Sie nur Original-Ersatzteile.
- Bitte beachten Sie, dass eigene Reparaturen oder Reparaturen, die nicht von Fachkräften durchgeführt werden, die Sicherheit des Geräts beeinträchtigen und zum Erlöschen der Garantie führen können.
- Die folgenden Ersatzteile werden auch nach der Einstellung des Modells 7 Jahre lang vorgehalten: Thermostate, Temperatursensoren, Platinen, Lichtquellen, Türgriffe, Türscharniere, Einsätze und Körbe. Türdichtungen sind mindestens 10 Jahre lang nach Einstellung des Modells erhältlich. Die Dauer kann in Ihrem Land länger sein. Für weitere Informationen besuchen Sie bitte unsere Website.
- Bitte beachten Sie, dass einige dieser Ersatzteile nur an Reparaturbetriebe

geliefert werden können und nicht alle Ersatzteile für alle Modelle relevant sind.

## 2.7 Entsorgung

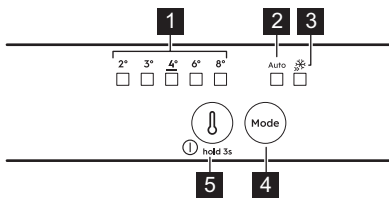
### **⚠️ WARNUNG!**

Verletzungs- und Erstickungsgefahr.

- Trennen Sie das Gerät von der Stromversorgung.
- Schneiden Sie das Netzkabel ab, und entsorgen Sie es.
- Entfernen Sie die Tür, um zu verhindern, dass sich Kinder oder Haustiere in dem Gerät einschließen.

- Der Kältekreislauf und die Isolierungsmaterialien dieses Gerätes sind ozonfreundlich.
- Die Isolierung enthält entzündliches Gas. Für Informationen zur korrekten Entsorgung des Gerätes wenden Sie sich an Ihre kommunale Behörde.
- Achten Sie darauf, dass die Kühleinheit in der Nähe des Wärmetauschers nicht beschädigt wird.

## 3. BEDIENFELD



- 1** Temperaturanzeigen
- 2** AI Cool Assist-Anzeige
- 3** Extra Freeze-Anzeige
- 4** Mode-Taste
- 5** Temperaturregulierungstaste/„EIN/AUS“-Taste

### 3.1 EIN/AUS schalten

#### Einschalten

1. Stecken Sie den Stecker in die Wandsteckdose.
2. Drücken Sie den Temperaturregler, wenn alle LEDs ausgeschaltet sind.

#### Ausschalten

Drücken Sie weiterhin die Temperaturreglertaste für 3 Sek. Alle Kontrolllampen erlöschen.

### 3.2 Temperaturregelung

Drücken Sie den Temperaturregler. Die Anzeige der aktuellen LED Temperatur blinkt.

Wenn Sie den Temperaturregler drücken, bewegt sich die Einstellung um eine Position. Wiederholen Sie den Vorgang, bis das Gerät die erforderliche Temperatur erreicht hat.

Der Temperaturbereich kann zwischen 8 °C bis 2 °C variieren (empfohlen 4 °C).



Die eingestellte Temperatur wird innerhalb von 24 Std erreicht. Nach einem Stromausfall bleibt die eingestellte Temperatur gespeichert.

### 3.3 AI CoolAssist

AI CoolAssist ist eine auf maschinellem Lernen basierende Funktion, die die Geräteeinstellungen anhand der individuellen Nutzungsmuster anpasst, beispielsweise der Häufigkeit der Türöffnungen und anderen Benutzerinteraktionen mit dem Gerät. Bei Aktivierung von AI CoolAssist sind die folgenden Smart-Modi verfügbar:

- Temperaturmanagement: Regelt automatisch die Temperatur in den Kühl- und Gefrierfächern, um eine optimale Lebensmittelkonservierung zu gewährleisten.
- Auto Shopping Mode: Passt die Temperatureinstellungen im Kühlschrankfach nach dem Einkauf von Lebensmitteln automatisch an, um neu hinzugefügte Artikel schnell zu kühlen.

Dieser Modus wird automatisch aktiviert, wenn AI CoolAssist eingeschaltet ist.

- Auto Vacation Mode: Reduziert den Energieverbrauch, wenn das Gerät an drei oder mehr aufeinanderfolgenden Tagen nicht benutzt wird. Dieser Modus wird automatisch aktiviert, wenn AI CoolAssist eingeschaltet ist.

Drücken Sie zum Aktivieren/Deaktivieren der Funktion die Taste Mode.

Wenn die Funktion eingeschaltet ist, geht AUTO an. Die anderen Anzeigen gehen aus.

Kehren Sie zur manuellen Einstellung zurück, indem Sie die Taste Mode drücken, bis die Temperaturanzeige aufleuchtet.



Die Temperaturregulierungstaste ist deaktiviert, wenn AI CoolAssist eingeschaltet ist. Schalten Sie dies aus, um die Temperatur einzustellen.



Wenn AI CoolAssist aktiviert wird, während Extra Cool und/oder Extra Freeze eingeschaltet ist, werden Extra Cool und Extra Freeze deaktiviert. Wenn Extra Cool und/oder Extra Freeze aktiviert werden, während AI CoolAssist eingeschaltet ist, wird AI CoolAssist deaktiviert.

### 3.4 Extra Freeze-Funktion

Die Extra Freeze-Funktion dient dazu, das Gefrierfach auf das Vorgefrieren und anschließende Schnellgefrieren der Lebensmittel vorzubereiten. Diese Funktion

beschleunigt das Einfrieren von frischen Lebensmitteln und schützt die bereits gelagerten Lebensmittel vor dem Aufwärmen.



Um frische Lebensmittel einzufrieren, schalten Sie die Extra Freeze-Funktion mindestens 24 Std, bevor Sie die einzufrierenden Lebensmittel in das Gefrierfach hineinlegen, ein, um das Vorgefrieren abzuschließen.

Drücken Sie zum Einschalten der Funktion Extra Freeze die Taste Mode. Die Extra Freeze Anzeige leuchtet auf.



Diese Funktion stoppt automatisch nach maximal 52 Std.

Um die Funktion auszuschalten, drücken Sie die Mode-Taste erneut. Die Anzeige Extra Freeze erlischt.

Kehren Sie zur manuellen Einstellung zurück, indem Sie die Taste Mode drücken, bis die Temperaturanzeige aufleuchtet.

### 3.5 Alarm - Tür offen

Wenn die Kühlschranktür etwa 5 Min geöffnet bleibt, ertönt der Signalton.

Drücken Sie eine beliebige Taste, um den akustischen Alarm auszuschalten.

Der Alarm schaltet sich aus, wenn die Tür geschlossen wird.

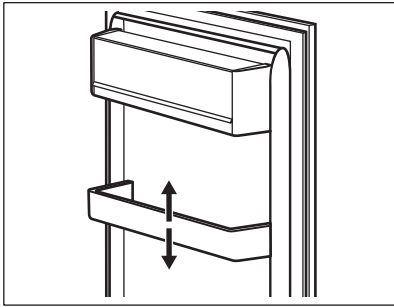


Wenn Sie keine Taste drücken, schaltet sich der Ton nach 1 Std aus.

## 4. TÄGLICHER GEBRAUCH

### 4.1 Positionieren der Türablagen

Zur leichteren Lagerung von Lebensmitteln können die Türregale in unterschiedlichen Höhen montiert werden. Ziehen Sie das Regal nach oben, um es neu zu positionieren.

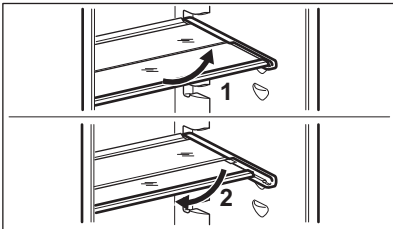


## 4.2 Bewegliche Ablagen

Die Wände des Kühlschranks sind mit Schienen ausgestattet. Sie können die Positionen der Regale ändern.

Dieses Gerät ist mit einer flexiblen Ablage ausgestattet. Die vordere Hälfte des Regals kann unter der zweiten Hälfte platziert werden.

1. Nehmen Sie die vordere Hälfte vorsichtig heraus.
2. Schieben Sie sie in die untere Führung und unter die zweite Hälfte.



Die Glasablage über der Gemüseschublade sollten jedoch nicht verstellt werden, um eine korrekte Luftzirkulation zu gewährleisten.

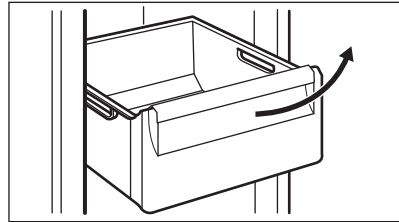
## 4.3 Obst- / Gemüseschublade

Im unteren Teil des Geräts befindet sich eine spezielle Schublade, die sich zur Aufbewahrung von Obst und Gemüse eignet.

## 4.4 Entnehmen von Schubladen

Entnehmen einer Schublade aus einem Fach:

1. Ziehen Sie die Schublade bis zum Anschlag heraus.
2. Heben Sie, wenn Sie am Ende der Auszüge angekommen sind, die Vorderseite der Schublade leicht an und nehmen Sie sie aus dem Gerät.



Zum Einsetzen der Schublade in ein Fach führen Sie die obigen Schritte in umgekehrter Reihenfolge aus.



Bei einigen Modellen ist es zum Herausnehmen der Schublade erforderlich, zuerst den Flaschenbehälter zu entfernen.

## 4.5 Einfrieren frischer Lebensmittel

Verwenden Sie das Gefrierfach zum Einfrieren frischer Lebensmittel und zur langfristigen Aufbewahrung gefrorener und tiefgefrorener Lebensmittel.

Schalten Sie die Funktion Extra Freeze mindestens 24 Std, bevor Sie die einzufrierenden Lebensmittel in das Gefrierfach hineinlegen, ein.

Überschreiten Sie nicht die maximale Menge an Lebensmitteln, die eingefroren werden kann, ohne dass andere frische Lebensmittel innerhalb von 24 Std hinzukommen (siehe Typenschild).

Nach Abschluss des Gefriervorgangs kehrt das Gerät automatisch auf die vorherige Temperatureinstellung zurück (siehe „Extra Freeze-Funktion“).



Die Temperatur im Kühlschrank kann sich ändern.

Weitere Informationen finden Sie unter „Tipps zum Einfrieren“.

### 4.6 Lagerung von Tiefkühlgerichten

Wenn Sie das Gerät zum ersten Mal oder nach längerem Nichtgebrauch einschalten, aktivieren Sie die Funktion Extra Freeze mindestens 3 Std, bevor Sie Lebensmittel in das Gefrierfach legen.

#### VORSICHT!

Wenn der Strom länger als die auf dem Typenschild unter „Anstiegszeit“ angezeigte Zeit ausgefallen ist, müssen die aufgetauten Lebensmittel sofort verbraucht werden.

## 5. HINWEISE UND TIPPS

### 5.1 Tipps zum Energiesparen


- Kühlschrank: Die effizienteste Energienutzung wird erreicht, wenn die Schubladen im unteren Teil des Geräts eingesetzt und die Ablagen gleichmäßig angeordnet sind. Die Position der Türablagen wirkt sich nicht auf den Energieverbrauch aus.
- Öffnen Sie die Tür nicht zu häufig, und lassen Sie diese nicht länger offen als notwendig.
- Gefriergerät: Je kälter die eingestellte Temperatur, desto höher der Energieverbrauch.
- Kühlschrank: Stellen Sie die Temperatur nicht zu hoch ein, es sei denn, dies ist wegen der Beschaffenheit der Lebensmittel erforderlich.
- Wenn die Umgebungstemperatur hoch ist, der Temperaturregler auf eine niedrige Temperatur eingestellt und das Gerät voll beladen ist, kann es zu andauerndem Betrieb des Kompressors und damit zu Reif- oder Eisbildung am Verdampfer kommen. Stellen Sie in diesem Fall den Temperaturregler auf eine höhere Temperatur, um das automatische Abtauen zu ermöglichen.
- Bedecken Sie die Belüftungsgitter oder -öffnungen nicht.

### 5.2 Tipps zum Einfrieren

- Frieren Sie Flaschen oder Dosen mit Flüssigkeiten, insbesondere kohlendioxidhaltigen Getränken, nicht ein. Sie können beim Einfrieren explodieren.
- Geben Sie keine heißen Lebensmittel in den Gefrierraum.

- Stellen Sie frische, nicht gefrorene Lebensmittel nicht direkt neben bereits gefrorene Lebensmittel.
- Essen Sie Eiswürfel, Wassereis oder Eislutscher nicht sofort, nachdem Sie sie aus dem Gefrierschrank genommen haben, um Erfrierungen zu vermeiden.
- Frieren Sie aufgetaute Lebensmittel nicht wieder ein.

### 5.3 Hinweise zur Lagerung von Tiefkühlgerichten

- Das Gefrierfach ist gekennzeichnet mit 
- Eine gute Temperatureinstellung, die die Konservierung von Tiefkühlgerichten sicherstellt, ist eine Temperatur von weniger oder gleich -18 °C.
- Eine höhere Temperatureinstellung im Gerät kann die Haltbarkeit verkürzen.
- Der gesamte Gefrierraum ist für die Lagerung von Tiefkühlprodukten geeignet.
- Lassen Sie ausreichend Platz um die Lebensmittel herum, damit die Luft frei zirkulieren kann.

### 5.4 Lagerdauer im Gefrierfach

Lebensmittel	Lagerdauer (Monate)
Brot	3
Früchte (außer Zitrusfrüchten)	6 - 12
Gemüse	8 - 10
Reste ohne Fleisch	1 - 2

Lebensmittel	Lagerdauer (Monate)
<b>Molkereiprodukte:</b>	
Butter	6 - 9
Weichkäse (z. B. Mozzarella)	3 - 4
Hartkäse (z. B. Parmesan, Cheddar)	6
<b>Meeresfrüchte:</b>	
Fetthaltiger Fisch (z. B. Lachs, Makrele)	2 - 3
Fettarmer Fisch (z. B. Dorsch, Flunder)	4 - 6
Shrimps	12
Muscheln und Miesmuscheln ohne Schale	3 - 4
Gekochter Fisch	1 - 2
<b>Fleisch:</b>	
Geflügel	9 - 12
Rindfleisch	6 - 12
Schweinefleisch	4 - 6
Lamm	6 - 9
Wurst	1 - 2
Schinken	1 - 2
Reste mit Fleisch	2 - 3

## 5.5 Hinweise für die Kühlung von Lebensmitteln



Das Fach für frische Lebensmittel ist (auf dem Typenschild) gekennzeichnet mit



- Eine gute Temperatureinstellung, die die Konservierung von frischen Lebensmitteln sicherstellt, ist eine Temperatur von weniger oder gleich +4 °C.
- Verwenden Sie immer geschlossene Behälter für Flüssigkeiten und Lebensmittel, um Düfte oder Gerüche im Fach zu vermeiden.
- Um eine Kreuzkontamination zwischen gekochten und rohen Lebensmitteln zu vermeiden, decken Sie die gekochten Lebensmittel ab und trennen Sie sie von den rohen.
- Wickeln Sie das Fleisch ein und legen Sie es auf die Glasablage über der Gemüseschublade.
- Tauen Sie die Lebensmittel im Kühlschrank auf.
- Stellen Sie keine warmen Lebensmittel in das Gerät.
- Reinigen Sie Obst und Gemüse und legen Sie sie in eine dafür vorgesehene Schublade (Gemüseschublade).
- Bewahren Sie exotische Früchte nicht im Kühlschrank auf.
- Bewahren Sie Gemüse wie Tomaten, Kartoffeln, Zwiebeln und Knoblauch nicht im Kühlschrank auf.
- Schließen Sie die Flaschen, bevor Sie sie in den Kühlschrank stellen.

## 6. REINIGUNG UND PFLEGE



### WARNUNG!

Sehen Sie Kapitel „Sicherheitshinweise“.

### 6.1 Reinigung des Innenraums

Reinigen Sie das Innere und alle Zubehörteile vor dem ersten Gebrauch mit lauwarmem Wasser und neutraler Seife und trocknen Sie sie anschließend.

### **⚠ VORSICHT!**

Das Zubehör und die Teile des Geräts sind nicht zur Reinigung im Geschirrspüler geeignet.

## **6.2 Regelmäßige Reinigung**

Reinigen Sie das Gerät regelmäßig:

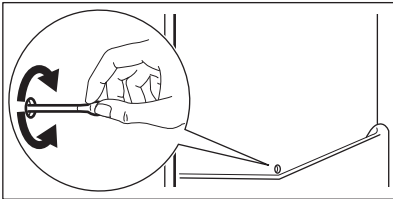
- Reinigen Sie die Innenseite und das Zubehör mit lauwarmem Wasser und etwas neutraler Seife. Spülen Sie sie ab und wischen Sie sie trocken.
- Wischen Sie die Türdichtungen regelmäßig ab.

## **6.3 Abtauen des Kühlschranks**

Bei normalem Betrieb wird Frost automatisch aus dem Verdampfer des Kühlschranks entfernt. Das Abtauwasser fließt durch eine Wanne in einen speziellen Behälter, wo es verdampft.

Reinigen Sie regelmäßig das Abtauwasser-Ablassloch in der Mitte des Kühlschrankschrankkanals.

Verwenden Sie den Schlauchreiniger, der dem Gerät beiliegt.



## **6.4 Abtauen des Gefriergeräts**

### **⚠ VORSICHT!**

Verwenden Sie niemals scharfe Metallwerkzeuge, um Frost vom Verdampfer abzukratzen. Verwenden Sie nur vom Hersteller empfohlenes Zubehör, um das Abtauen zu beschleunigen.



Stellen Sie etwa 12 Std vor dem Abtauen eine niedrigere Temperatur ein.

Es ist normal, dass sich eine dünne Frostschicht auf den Gefrierschrankschrankablagen und um das obere Fach herum bildet. Tauen Sie den Gefrierschrank ab, wenn die Frostschicht eine Stärke von etwa 3 bis 5 mm erreicht.

1. Schalten Sie das Gerät aus und ziehen Sie den Netzstecker.
2. Entnehmen Sie eingelagerte Lebensmittel.
3. Lassen Sie die Tür offen und schützen Sie den Boden vor dem Wasser.
4. Stellen Sie einen Topf mit warmem Wasser in das Gefrierfach, um das Abtauen zu beschleunigen.
5. Trocknen Sie das Innere nach dem Abtauen.
6. Schalten Sie das Gerät ein. Schließen Sie die Tür.
7. Stellen Sie die niedrigste Temperatur für mindestens 3 Std ein, bevor Sie die Lebensmittel wieder in das Gefrierfach legen.

## **6.5 Stillstandszeiten**

Bei längerem Stillstand des Geräts müssen Sie folgende Vorkehrungen treffen:

1. Trennen Sie das Gerät von der Stromversorgung.
2. Entfernen Sie alle Lebensmittel.
3. Tauen Sie das Gerät ab.
4. Reinigen Sie das Gerät und alle Zubehörteile.
5. Lassen Sie die Türen geöffnet, um unangenehme Gerüche zu vermeiden.

## 7. FEHLERBEHEBUNG

### **WARNUNG!**

Sehen Sie Kapitel „Sicherheitshinweise“.

### 7.1 Was zu tun ist, wenn ...

Problem	Mögliche Ursache	Lösung
Das Gerät funktioniert nicht.	Das Gerät ist ausgeschaltet.	Schalten Sie das Gerät ein.
	Der Netzstecker ist nicht richtig in die Netzsteckdose eingesteckt.	Stecken Sie den Netzstecker richtig in die Netzsteckdose.
	Die Netzsteckdose hat keine Netzspannung.	Schließen Sie ein anderes Elektrogerät an der Netzsteckdose an. Wenden Sie sich an eine qualifizierte Elektrofachkraft.
Das Gerät ist laut.	Das Gerät ist nicht ordnungsgemäß abgestützt.	Prüfen Sie, ob sich das Gerät in einer stabilen Position befindet.
Es wird ein akustisches oder optisches Alarmsignal ausgelöst.	Die Tür ist offen.	Schließen Sie die Tür.
Der Kompressor arbeitet ständig.	Die Temperatur ist falsch eingestellt.	Siehe Kapitel „Bedienfeld“.
	Es werden zu viele Lebensmittel auf einmal hineingegeben.	Warten Sie einige Stunden und prüfen Sie erneut die Temperatur.
	Die Raumtemperatur ist zu hoch.	Siehe Kapitel „Montage“.
	Die in das Gerät gegebenen Lebensmittel sind zu warm.	Lassen Sie die Lebensmittel vor deren Aufbewahrung auf Raumtemperatur abkühlen.
	Die Tür ist nicht richtig geschlossen.	Siehe Abschnitt „Schließen der Tür“.
Der Kompressor schaltet sich nicht sofort ein, nachdem Sie „Extra Freeze“ gedrückt oder die Temperatur auf einen anderen Wert eingestellt haben.	Die Funktion Extra Freeze ist eingeschaltet.	Siehe Abschnitt „Funktion Extra Freeze“.
	Der Kompressor startet nach einer gewissen Zeit.	Das ist normal; es ist kein Fehler aufgetreten.
Die Tür ist falsch ausgerichtet oder beeinträchtigt das Lüftungsgitter.	Das Gerät ist nicht ausgerichtet.	Siehe Montageanleitung.
Die Tür lässt sich nicht leicht öffnen.	Sie haben versucht, die Tür unmittelbar nach dem Schließen erneut zu öffnen.	Warten Sie einige Sekunden zwischen dem Schließen und erneutem Öffnen der Tür.
Die Lampe funktioniert nicht.	Die Lampe ist im Standby-Modus.	Schließen Sie die Tür und öffnen Sie die Tür wieder.
	Die Lampe ist defekt.	Wenden Sie sich an das autorisierte Servicezentrum.
Zu viel Frost und Eis.	Die Tür ist nicht richtig geschlossen.	Siehe Abschnitt „Schließen der Tür“.

<b>Problem</b>	<b>Mögliche Ursache</b>	<b>Lösung</b>
	Die Dichtung ist verzogen oder verschmutzt.	Siehe Abschnitt „Schließen der Tür“.
	Lebensmittel sind nicht richtig verpackt.	Verpacken Sie das Essen richtig.
	Die Temperatur ist falsch eingestellt.	Siehe Kapitel „Bedienfeld“.
	Das Gerät ist voll von Lebensmitteln und auf die niedrigste Temperatur eingestellt.	Stellen Sie eine höhere Temperatur ein. Siehe Kapitel „Bedienfeld“.
	Die eingestellte Temperatur im Gerät ist zu niedrig, und die Umgebungstemperatur ist zu hoch.	Stellen Sie eine höhere Temperatur ein. Siehe Kapitel „Bedienfeld“.
Wasser fließt an der Rückwand des Kühlschranks herunter.	Während des automatischen Abtauprozesses taut das Eis an der Rückwand ab.	Das ist richtig.
Im Kühlschrank befindet sich zu viel Kondenswasser.	Die Tür wurde zu häufig geöffnet.	Öffnen Sie die Tür nur bei Bedarf.
	Die Tür wurde nicht vollständig geschlossen.	Achten Sie darauf, dass die Tür vollständig geschlossen ist.
	Die aufbewahrten Lebensmittel waren nicht verpackt.	Packen Sie die Lebensmittel richtig ein, bevor Sie diese in das Gerät legen.
	Es ist normal, dass sich im Sommer und Herbst aufgrund der erhöhten Luft- und Lebensmittelfeuchtigkeit mehr Kondensation bilden kann. Ein Kühlschrank produziert keine Feuchtigkeit. Nach dieser Zeit nimmt die Luftfeuchtigkeit im Kühlschrank von selbst ab.	Stellen Sie den Kühlschrank im Sommer und Herbst auf die wärmere Temperatur ein (ca. 6-7 °C).
Auf den Glasregalen befinden sich Wassertropfen.	Im Kühlschrank befindet sich zu viel Feuchtigkeit.	Wischen Sie die Glasablagen mit einem Tuch ab, um die Wassertropfen zu entfernen.
Wasser fließt innerhalb des Kühlschranks.	Lebensmittel verhindern das Abfließen des Wassers in den Wassercollector.	Achten Sie darauf, dass die Lebensmittel nicht die Rückwand berühren.
	Der Wasserablauf ist verstopft.	Reinigen Sie den Wasserablauf.
Wasser fließt auf den Boden.	Der Tauwasserablauf ist nicht an die Verdampfungsschale über dem Kompressor angeschlossen.	Bringen Sie den Tauwasserablauf an der Verdampfungsschale an.
Die Temperatur kann nicht eingestellt werden.	Die Extra Freeze Funktion ist eingeschaltet.	Schalten Sie die Extra Freeze Funktion manuell aus oder warten Sie, bis sie sich automatisch deaktiviert. Siehe Abschnitt „Funktion Extra Freeze“.
Die Temperatur im Gerät ist zu niedrig / zu hoch.	Die Temperatur ist nicht richtig eingestellt.	Stellen Sie eine höhere / niedrigere Temperatur ein.

Problem	Mögliche Ursache	Lösung
	Die Tür ist nicht richtig geschlossen.	Siehe Abschnitt „Schließen der Tür“.
	Die Lebensmittel sind zu heiß.	Lassen Sie die Lebensmittel vor der Aufbewahrung abkühlen.
	Zu viele Lebensmittel werden gleichzeitig aufbewahrt.	Bewahren Sie weniger Lebensmittel gleichzeitig auf.
	Die Frostschicht ist dicker als 4-5 mm.	Tauen Sie das Gerät ab.
	Die Tür wurde zu oft geöffnet.	Öffnen Sie die Tür nur bei Bedarf.
	Die Funktion Extra Freeze ist eingeschaltet.	Siehe Abschnitt „Funktion Extra Freeze“.
	Im Gerät herrscht keine Kaltluftzirkulation.	Stellen Sie sicher, dass kalte Luft im Gerät zirkuliert. Siehe Kapitel „Hinweise und Tipps“.
Die Temperatureinstellungs-LEDs blinken gleichzeitig.	Beim Messen der Temperatur ist ein Fehler aufgetreten.	Wenden Sie sich an das autorisierte Servicezentrum. Das Kühlsystem hält die Lebensmittel weiterhin kalt, aber eine Temperaturanpassung ist nicht möglich.



Wenn das Problem weiterhin besteht, wenden Sie sich an das autorisierte Servicezentrum.

## 7.2 Austauschen der Lampe

Wenden Sie sich an das autorisierte Servicezentrum, um die Lampe auszutauschen.

## 7.3 Schließen der Tür

1. Reinigen Sie die Türdichtungen.
2. Informationen zum Einstellen der Tür finden Sie in den Installationsanweisungen.
3. Um die defekten Türdichtungen auszutauschen, wenden Sie sich an das autorisierte Servicezentrum.

## 8. TECHNISCHE DATEN

Die technischen Informationen finden Sie auf dem Energielabel und auf dem Typenschild des Geräts, das sich am oder im Gerät befinden kann.

### Nur für die Schweiz

Spannung 220-240 V

Frequenz: 50 Hz

### Nur für die EU

Der QR-Code auf der Energieplakette des Geräts bietet einen Web-Link zu Informationen über die Geräteleistung in der EU EPREL-Datenbank. Bewahren Sie daher die Energieplakette als Referenz

zusammen mit dieser Bedienungsanleitung und allen anderen Unterlagen, die mit dem Gerät geliefert wurden, auf. Es ist auch möglich, die gleichen Informationen in EPREL zu finden, indem Sie den Link <https://eprel.ec.europa.eu> sowie den Modellnamen und die Produktnummer, die Sie auf dem Typenschild des Geräts finden, verwenden. Beachten Sie den Link [www.theenergylabel.eu](http://www.theenergylabel.eu) bezüglich detaillierter Informationen zur Energieplakette.

### Nur für Großbritannien

Der QR-Code auf der Energieplakette des Geräts bietet einen Web-Link zu

Informationen über die Geräteleistung. Bewahren Sie daher die Energieplakette als Referenz zusammen mit dieser Bedienungsanleitung und allen

anderen Unterlagen, die mit dem Gerät geliefert wurden, auf.

## 9. INFORMATIONEN FÜR PRÜFINSTITUTE

Die Installation und die Vorbereitung des Geräts für eine eventuelle EcoDesign-Prüfung müssen wie folgt übereinstimmen:

UK	BS EN 62552
EU, Schweiz, Israel	EN 62552
Australien	IEC 62552
Südafrika	SANS 62552

VAE	UAE.S 5010-3:2022
GCC	SASO-2892_2018

Die Lüftungsanforderungen, die Abmessungen der Einbaunische und die Mindestabstände sind in dieser Bedienungsanleitung unter „Montage“ beschrieben. Weitere Informationen erhalten Sie vom Hersteller, einschließlich der Beladungspläne.

## 10. GARANTIE

### Kundendienst

#### Servicestellen

Industriestrasse 10 5506 Mägenwil	Le Trési 6 1028 Préverenges	Via Violino 11 6928 Manno
Morgenstrasse 131 3018 Bern		
Langgasse 10 9008 St. Gallen		
Am Mattenhof 4a/b 6010 Kriens		
Schlossstrasse 1 4133 Pratteln		
Comercialstrasse 19 7000 Chur		





**Ersatzteilverkauf** Industriestrasse 10, 5506 Mägenwil, Tel. 0848 848 111

**Fachberatung/Verkauf** Buckhauserstrasse 40, 8048 Zürich, Switzerland, Tel. 044 405 82 44

**Garantie** Für jedes Produkt gewähren wir ab Verkauf bzw. Lieferdatum an den Endverbraucher eine Garantie von 2 Jahren. (Ausweis durch Garantieschein, Faktura oder

Verkaufsbeleg). Die Garantieleistung umfasst die Kosten für Material, Arbeits- und Reisezeit. Die Garantieleistung entfällt bei Nichtbeachtung der Gebrauchsanweisung und Betriebsvorschriften, unsachgerechter Installation, sowie bei Beschädigung durch äussere Einflüsse, höhere Gewalt, Eingriffe Dritter und Verwendung von Nicht-Original Teilen.

## 11. UMWELTBELANGE

Recyceln Sie Materialien mit dem Symbol .  
Entsorgen Sie die Verpackung in  
entsprechenden Recyclingbehältern.  
Recyceln Sie zum Umwelt- und  
Gesundheitsschutz elektrische und  
elektronische Geräte. Entsorgen Sie Geräte,  
die mit dem Symbol  gekennzeichnet sind,  
nicht mit dem Hausmüll. Bringen Sie das  
Gerät zu Ihrer örtlichen Sammelstelle oder  
wenden Sie sich an Ihr Gemeindeamt.



### **Für die Schweiz:**

Wohin mit den Altgeräten?

Überall dort wo neue Geräte verkauft  
werden oder Abgabe bei den offiziellen  
SENS-Sammelstellen oder offiziellen  
SENS-Recyclern.

Die Liste der offiziellen SENS-  
Sammelstellen findet sich unter  
[www.erecycling.ch](http://www.erecycling.ch)







**electrolux.com**

222386558-A-072026



**CE**